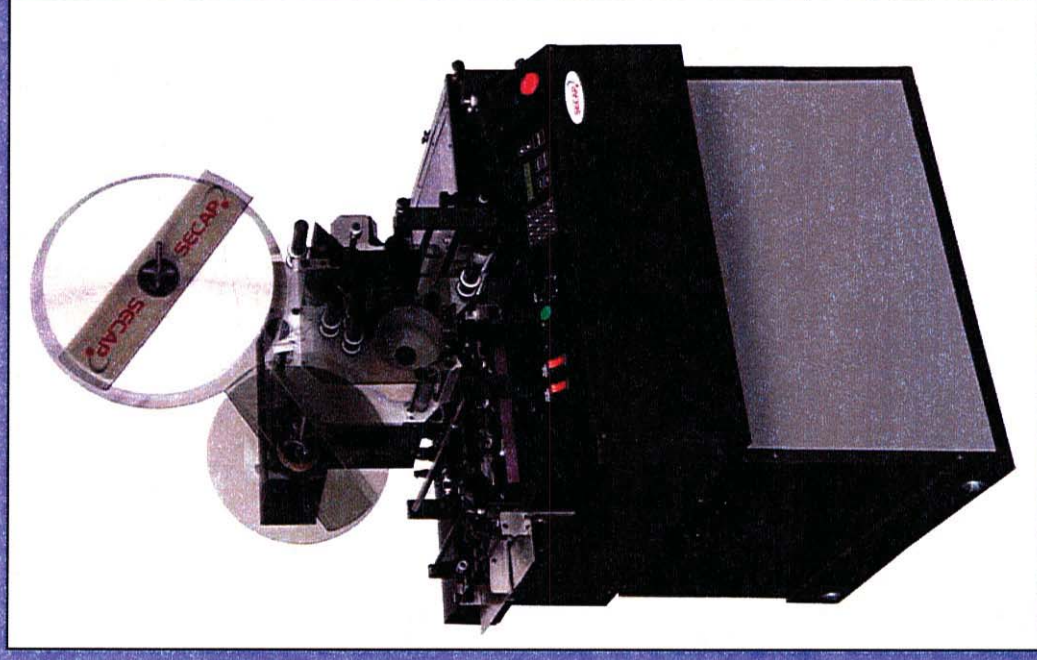


Jet 1 Optional Component – Tabber

- Operate in-line and off-line, complete flexibility
- Affixes Tabs, Labels, or Stamps
- Single, double, or triple tabs
- Available in a standard and wide head configuration
- Capable of handling media sizes from 3" x 5" to 13.5" x 17" and up to 5/8" thickness
- Capable of speeds up to 30,000 pieces per hour (single tab, 8.5" piece)
- Can handle roll sizes of approximately 50,000 3/4" tabs, or 40,000 1" tabs



Jet 1 Optional Component – Dryer and Base (Blank or D)



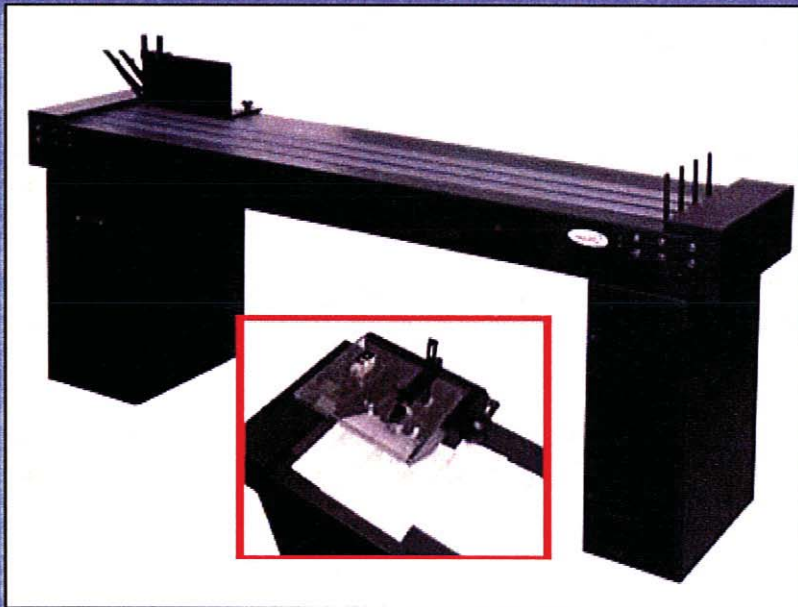
- Integrated vacuum base with a Research Inc. dryer
 - Heater base is synchronized with the printstation base
 - 4000 Watt dryer unit
 - Dryer is UL Approved
 - Dryer is integrated with base and only runs when transport is running

Jet 1 Optional Components – Feeders (U)

- UltraFeed™ Feeder - High Capacity
 - Hopper Capacity: Conveyor style, 6' long (Up to 3,000 #10 envelopes)
 - Media Ranges:
 - Min: 3"w x 2"l
 - Max: 12.25"w x 14"l
 - Thickness: .004" - .75"
 - Uses patented dynamic rotation technology for consistent media separation



Jet 1 Optional Components – Exit Conveyor (9S or 9U)



- Exit Conveyor
 - 9' conveyor (standard)
 - 9' UltraSort™ conveyor
- Excellent productivity enhancement option for print systems
- Speed is integrated through the print station base
- UltraSort™ conveyor receives information from software and offsets mail to assist in the presort process

SECAP™