

PILE HOIST

model series HL

For ergonomic working at a comfortable height

- » automatic lifting and lowering of palletized cutting material
- » individually adjustable working height for increased productivity and health-friendly operation
 - » can also be used for de-stacking cutting material





Professional peripheral for highest requirements

- » automatically lifted cutting material can be loaded into the jogger or directly into the guillotine at a comfortable, individually adjustable working height
- » hydraulic direct drive without lifting chains
- » stable, welded design
- » lifting platform for transverse pick-up of pallets
- » operating arm can be fitted on the left or right
- » height-adjustable encapsulated light sensor for individual working height

model HL 85



platform size: 620 x 850 mm
load: 500 kg

model HL 110



platform size: 780 x 1100 mm
load: 1000 kg

model HL 125



platform size: 840 x 1250 mm
load: 1000 kg

model HL 155



platform size: 1100 x 1550 mm
load: 1500 kg



Switchable automated lifting and lowering for unloading and de-stacking

Unloading

by the example of HL 125

- » after removing of the cutting material, the pile is automatically lifted to the preset working height



De-stacking

by the example of HL 110
with optional pre-piling device

- » optionally available with pre-piling device for precise de-stacking
- » after the cutting material is de-stacked, the pile is automatically lowered on the adjusted height

1



2



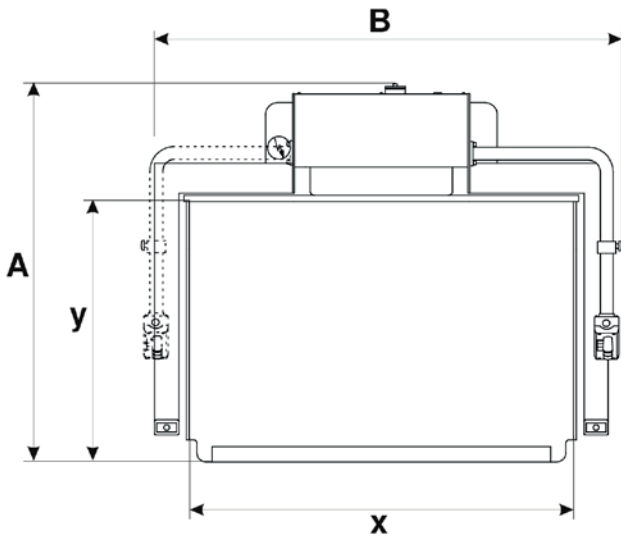


PILE HOIST

model series HL

Technical data		HL 85	HL 110	HL 125	HL 155
platform depth (y)	mm	620	780	840	1100
inside platform width (x)	mm	850	1100	1250	1550
max. stroke	mm	900	900	900	900
max. load	kg	500	1000	1000	1500
machine depth (A)	mm	1040	1200	1260	1530
machine width (B)	mm	1070	1390	1570	1840
machine weight	kg	400	500	530	770
supply voltage	V / Hz V / Hz	400 / 50 220 / 60	400 / 50 220 / 60	400 / 50 220 / 60	400 / 50 220 / 60
power consumption					
400 V / 50 Hz	A	3,7	3,7	3,7	3,7
220 V / 60 Hz	A	6,4	6,4	6,4	6,4
automated lifting / lowering		■	■	■	■
pre-piling device		□	□	□	□

- standard
- option



Gerhard Busch GmbH

Brookdamm 28 | D-21217 Seevetal | Germany
Tel. +49 (0)40 769159-0 | Fax +49 (0)40 769159-33
info@buschgraph.de | www.buschgraph.de

Stanzmaschinen Die-Cutting Machines
Bündelmaschinen Banding Machines
Späneförderbänder Waste Conveyors
Stapelwender Pile Turners
Schneidmaschinen Guillotines
Schneidperipherie Peripherals for Guillotines