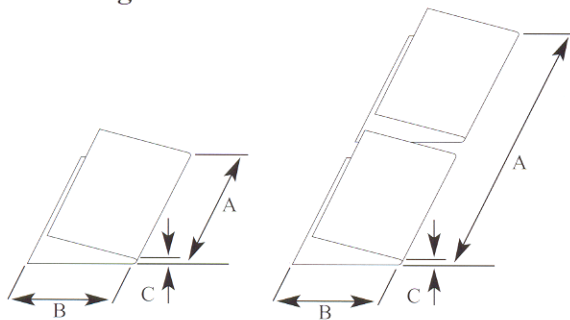


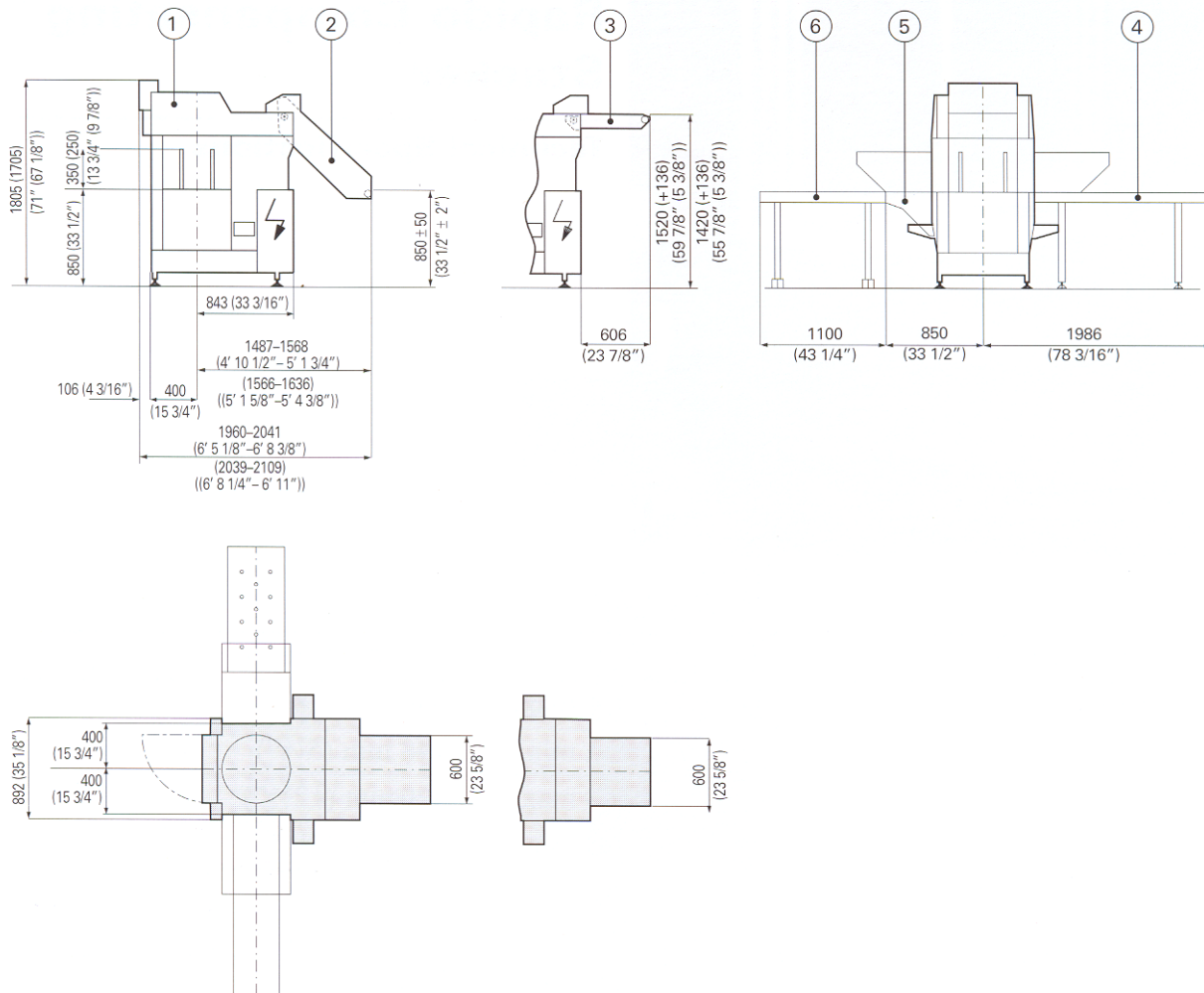
# Rapido Compensating Stacker

## Technical Specifications

<b>Max. mechanical speed</b>	20,000 copies/h												
<b>Size range</b>	<table border="1"> <tr> <td>A max.</td> <td>480 mm (18<sup>7</sup>/<sub>8</sub>"")</td> </tr> <tr> <td>A min.</td> <td>148 mm (5<sup>7</sup>/<sub>8</sub>"")</td> </tr> <tr> <td>B max.</td> <td>320 mm (12<sup>5</sup>/<sub>8</sub>"")</td> </tr> <tr> <td>B min.</td> <td>105 mm (4<sup>1</sup>/<sub>8</sub>"")</td> </tr> <tr> <td>C max.</td> <td>20 mm (3/4") or 400 pages</td> </tr> <tr> <td>C min.</td> <td>8 pages</td> </tr> </table>	A max.	480 mm (18 <sup>7</sup> / <sub>8</sub> "")	A min.	148 mm (5 <sup>7</sup> / <sub>8</sub> "")	B max.	320 mm (12 <sup>5</sup> / <sub>8</sub> "")	B min.	105 mm (4 <sup>1</sup> / <sub>8</sub> "")	C max.	20 mm (3/4") or 400 pages	C min.	8 pages
A max.	480 mm (18 <sup>7</sup> / <sub>8</sub> "")												
A min.	148 mm (5 <sup>7</sup> / <sub>8</sub> "")												
B max.	320 mm (12 <sup>5</sup> / <sub>8</sub> "")												
B min.	105 mm (4 <sup>1</sup> / <sub>8</sub> "")												
C max.	20 mm (3/4") or 400 pages												
C min.	8 pages												
<b>Layer height</b>	max. 150 mm (5 <sup>7</sup> / <sub>8</sub> "")												
<b>Stack height</b>	max. 250 mm (9 <sup>7</sup> / <sub>8</sub> "") or 350 mm (13 <sup>3</sup> / <sub>4</sub> "")												
<b>Power requirements</b>	compensating stacker with 4 motors and controls 2.2 kW per belt delivery 0.25 kW												
<b>Compressed air requirements</b>	at 6 bar 20 Nm <sup>3</sup> /h												
<b>Weight</b>	900 kg (2,000 lbs.)												



Design, measurements and specifications subject to change.



## Rapido

- 1 Rapido compensating stacker
- 2 Infeed
- 3 Horizontal infeed section
- 4 Roller delivery
- 5 Belt delivery
- 6 Air table

**MÜLLER MARTINI**

### Müller Martini Marketing AG

Untere Brühlstrasse 13  
 CH-4800 Zofingen, Switzerland  
 Phone ++41 62 745 45 75  
 Fax ++41 62 751 55 50  
 E-mail [info@mullermartini.com](mailto:info@mullermartini.com)  
 Internet <http://www.mullermartini.com>