

## Waste Conveyors for Three-Knife Trimmers and Die-Cutting Machines

- ❑ For the removal of cut waste conveyed into containers
- ❑ Available in the following conveying heights: 110 cm, 145 cm and 175 cm for waste containers with the requested maximal heights
- ❑ High-quality rustless steel frame construction
- ❑ The rotating conveying belt is made of elastic synthetic material (PVC) with wave edges on both sides and transport studs
- ❑ Connectable to BUSCH die-cutting machines, saddle stitchers and perfect binders with three-knife trimmers and to other machinery



**Gerhard Busch GmbH**  
Graphische Maschinen  
D-21217 Seevetal  
Brookdamm 28

**Phone** +49 (0)40 76 91 59-0  
**Fax** +49 (0)40 76 91 59-33  
**E-mail:** [info@buschgraph.de](mailto:info@buschgraph.de)  
**Internet:** [www.buschgraph.de](http://www.buschgraph.de)

- without engagement -  
May 2012

## **Waste removal - often a neglected and expensive problem**

A BUSCH waste conveyor solves it.

BUSCH manufacture dedicated conveyors for all well-known finishing machines, which produce waste.

Type KF is installed on saddle stitchers, perfect binders, three knife trimmers and BUSCH die-cutting machines.

Additional cross conveying elements - type HF - add to the efficiency and flexibility.

Conveyor system KF 145 with  
HF 35 on Müller Martini Minuteman



Waste conveyor KF 110  
connected to a BUSCH  
die-cutting machine type BL

---



The waste conveyors can be positioned according to the requirements, on the left hand or right hand side or straight away from the machine.

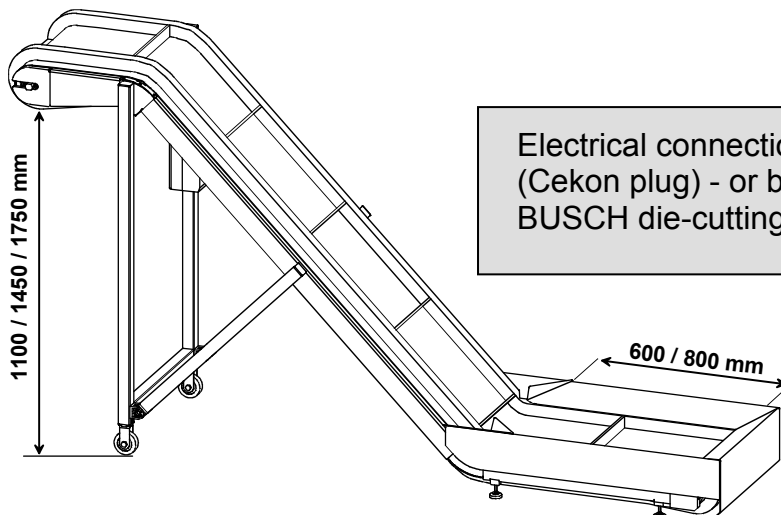
Waste conveyor KF with HF 35

Three different conveying heights and two different lengths of delivery chutes are available (length of the straight bottom surface) suitable for almost any application.

Option:  
 Supply of preliminary cross conveyors (type HF).



Waste conveyor KF 175 with HF 00 on Heidelberg Stitchmaster



Electrical connection by separate plug contact (Cekon plug) - or by direct plug contact on BUSCH die-cutting machines.

Conveying heights and lengths of delivery chutes

Technical Data						
		KF 110	KF 145	KF 175	HF 00	HF 35
<b>Performance data</b>						
Conveying height (A)	mm	1100	1450	1750	-	350
Length of delivery chute (B)	mm	600*	600*	600*	1000	800
Conveying speed with 50 Hz	m/s	0.40	0.40	0.40	0.40	0.40
Conveying speed with 60 Hz	m/s	0.48	0.48	0.48	0.48	0.48
Power requirements: 3-phase current	kW	0.3	0.3	0.3	0.12	0.12
Power consumption 400V	A	0.6	0.6	0.6	0.25	0.25
<b>Measures and weights</b>						
Length (C)	mm	2485	2835	3135	1260	1510
Height (D)	mm	1310	1660	1960	505	545
Width (E)	mm	625	625	625	580	580
Net weight	kg	88	102	114	43	45

\* Types KF 110-80, KF 145-80 and KF 175-80: length of delivery chute (B) 800 mm.  
The total length of the machine (C) increases by 200 mm.

