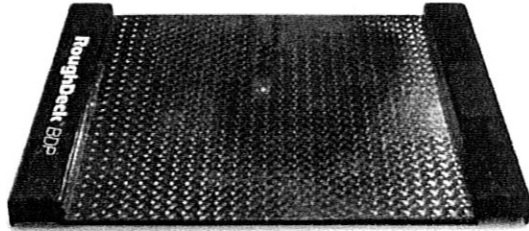


Floor Scales

RoughDeck® BDP

Barrel Scale – Standard Model



STANDARD FEATURES

- Live siderails
- Top access foot adjustment holes (holes are 1/2-13 threaded for lifting scale)
- Four adjustable stainless steel SUREFOOT™ support feet
- 30in x 31in or 36in x 37in weighing surface (not including side rails)
- TuffSeal® JB4SS stainless steel, NEMA 4x junction box with signal trim card
- Three-year limited warranty

Mild Steel Models

- Treaded top plate
- Alloy steel load cells

Stainless Steel Models

- Smooth top plate
- Stainless steel or stainless steel with welded-seal (IP67) load cells

APPROVALS



Measurement
Canada
Approved



SPECIFICATIONS

END LOAD CAPACITY:

1000lb: 100% full scale
2500lb: 80% full scale

CABLE LENGTH:

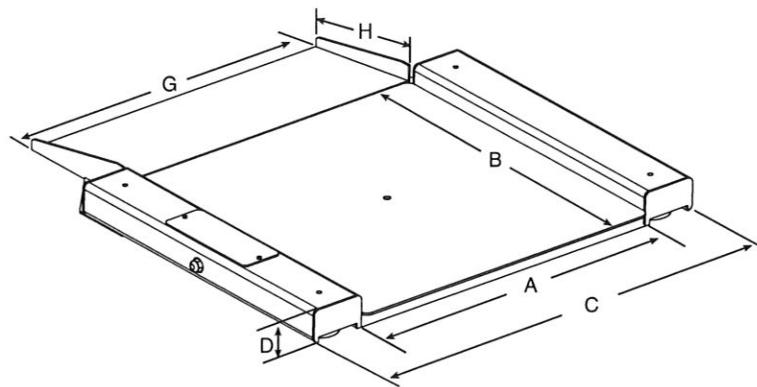
10ft (3m)

APPROVALS:

NTEP Certified, COC#03-060
Measurement Canada Approved: AM-5578

WARRANTY:

Three-year limited warranty



ROUGHDECK BDP W/ACCESS RAMP DIMENSIONS			
30IN x 31IN MODELS			
A	30.0in (762mm)	D	3.31in (84.1mm)
B	31.0in (787.4mm)	G	30.0in (762mm)
C	40.0in (1016mm)	H	12.0in (304.8mm)
36IN x 37IN MODELS			
A	36.0in (914.4mm)	D	3.31in (84.1mm)
B	37.0in (939.8mm)	G	36.0in (914.4mm)
C	46.0in (1168.4mm)	H	12.0in (304.8mm)

Distance from floor to top of center weighing surface: 1.625in (41.2mm)

Distance from floor to bottom of weighing surface: 0.31in (7.87mm)

RoughDeck® BDP

Barrel Scale – Standard Model

PART #	SIZE (W x L)	CAPACITY (CANADIAN APPROVED CAPACITIES)	EST. SHIP WEIGHT	PRICE
NTEP CERTIFIED				
Mild Steel				
77962.....	30in x 31 in.....	1,000lb (500kg).....	205lb.....	Consult
77963.....	30in x 31 in.....	2,500lb (1,000kg).....	205lb.....	Consult
77964.....	36in x 37 in.....	1,000lb (500kg).....	265lb.....	Consult
77965.....	36in x 37 in.....	2,500lb (1,000kg).....	265lb.....	Consult
Stainless Steel				
77967.....	30in x 31 in.....	1,000lb (500kg).....	205lb.....	Consult
77968.....	30in x 31 in.....	2,500lb (1,000kg).....	205lb.....	Consult
77969.....	36in x 37 in.....	1,000lb (500kg).....	265lb.....	Consult
77970.....	36in x 37 in.....	2,500lb (1,000kg).....	265lb.....	Consult
Stainless Steel with Stainless Steel Welded-Seal (IP67) Load Cells				
77971.....	30in x 31 in.....	1,000lb (500kg).....	205lb.....	Consult
77972.....	30in x 31 in.....	2,500lb (1,000kg).....	205lb.....	Consult
77973.....	36in x 37 in.....	1,000lb (500kg).....	265lb.....	Consult
77974.....	36in x 37 in.....	2,500lb (1,000kg).....	265lb.....	Consult
ACCESS RAMPS				
Mild Steel				
78011.....	30in x 12 in (sold individually)		25lb.....	Consult
78012.....	36in x 12 in (sold individually)		30lb.....	Consult
Stainless Steel				
78013.....	30in x 12 in (sold individually)		25lb.....	Consult
78014.....	36in x 12 in (sold individually)		30lb.....	Consult
OPTIONS/ACCESSORIES				
18777.....	Floor anchor plates, mild steel, set of two (for use with static scale, without ramps)			Consult
18778.....	Floor anchor plates, stainless steel, set of two (for use with static scale, without ramps)			Consult
19352.....	Floor stand for indicator, 36.3in high, mild steel (for use with static scale)			Consult
28740.....	Floor stand for indicator, 36.3in high, stainless steel (for use with static scale).....			Consult