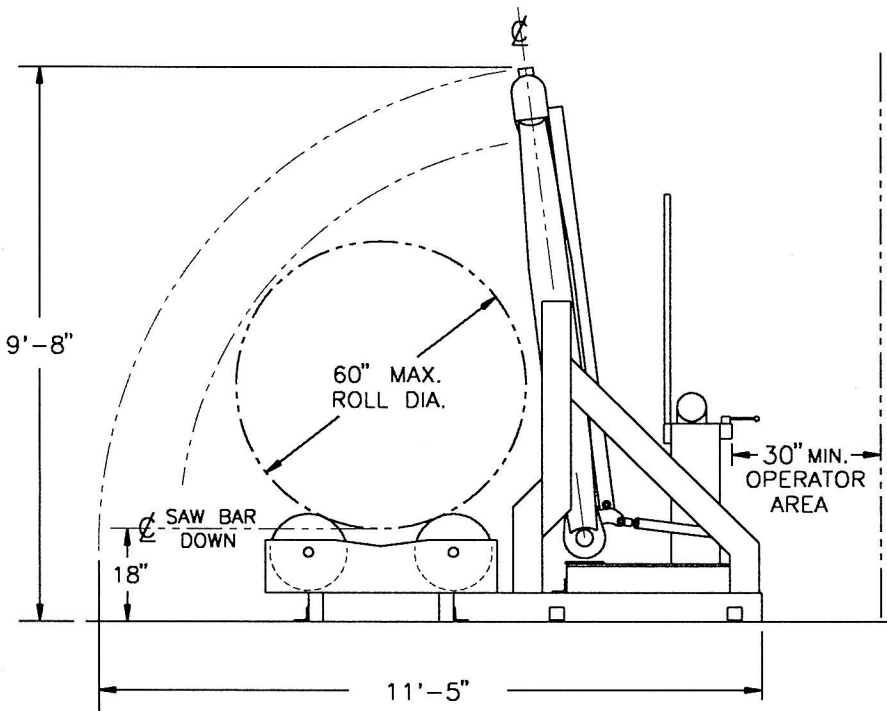


# L-M PAPER ROLL SAW



## MODEL PS 150-7-404 HC PAPER ROLL CAPACITIES

Roll Size: 12" to 60" diameter.  
Roll Length: 36" to 180".  
Roll Weight: 10,000 lbs. maximum.

## MACHINE POWER REQUIREMENTS

One 15 HP and one 1 HP motor.  
220/440/575 V 3 PH 60 Hz.

## HYDRAULIC SYSTEM

1 HP motor.  
2 GPM gear pump.  
6 gallon reservoir.

## MACHINE PERFORMANCE

Average time to cut a 60" roll = 5 min.

## SHIPPING WEIGHT

With trunnion roll set - 3850 lb.

## OPTIONAL EQUIPMENT

Hydraulic drive trunnion roll assembly – includes driven set, support set, and controls (to rotate rolls for smoother cuts).

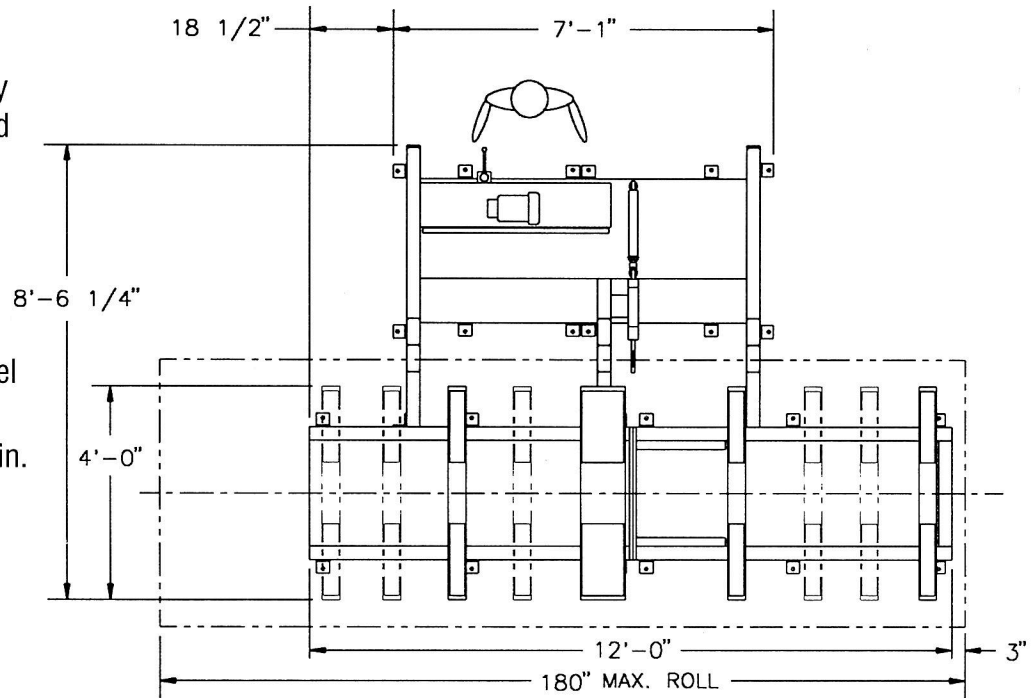
Extra trunnion support roll sets (to support both ends of rolls when dividing long rolls).

Saw chain grinder with diamond wheel (to sharpen the carbide saw chain).

Spare saw bar and spare loops of chain.

Dust removal system (portable four-bag 5 HP unit).

Laser light saw line indicator.



**L-M EQUIPMENT COMPANY INC.**

**PORTLAND, OREGON**

**1-800-228-0793**

**VANCOUVER, BC**

**1-800-455-8807**

*“Quality Products Since 1946”*