

## Waste Conveyors KF 110 / KF 145 / KF 175

- ❑ For the removal of cut waste conveyed into containers
- ❑ Available conveying heights: 110 cm, 145 cm and 175 cm
- ❑ High-quality rustless steel frame construction
- ❑ The rotating conveying belt is made of elastic synthetic material (PVC) with wave edges on both sides and transport studs
- ❑ Connectable to BUSCH punching machines, saddle stitchers and perfect binders with three-knife trimmer and to other machinery



**Gerhard Busch GmbH**  
Graphische Maschinen  
D-21217 Seevetal  
Brookdamm 28

**Phone** +49 (0)40 76 91 59-0  
**Fax** +49 (0)40 76 91 59-33  
**E-mail:** [info@buschgraph.de](mailto:info@buschgraph.de)  
**Internet:** [www.buschgraph.de](http://www.buschgraph.de)

- without engagement-  
August 2008

## Waste removal - often a neglected and expensive problem

A BUSCH waste conveyor solves it.

BUSCH manufacture dedicated conveyors for all well-known finishing machines, which produce waste.

Type KF is installed on saddle stitchers, perfect binders, three knife trimmers and BUSCH automatic punching machines.

Additional cross conveying elements – type HF – add to the efficiency and flexibility.

- ▶ **Note:**  
Type SF is used on guillotines and flat-bed die cutters. This type is especially suitable for long and bulky waste (see separate information folder).

Conveyor system KF 145 with  
HF 35 on Müller Martini Minuteman



Waste conveyor KF 110  
connected to a BUSCH  
Automatic Punching Machine  
type BL

---



The waste conveyors can be positioned according to the requirements, on the left hand or right hand side or straight away from the machine.

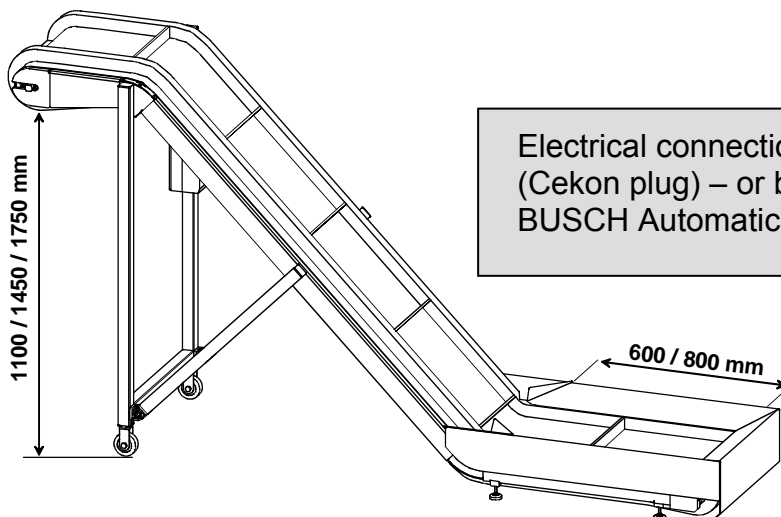
Waste conveyor KF with HF 35

Three different conveying heights and two different lengths of delivery chutes are available (length of the straight bottom surface) suitable for almost any application.

Option:  
 preliminary cross conveyors.



Waste conveyor KF 175 with HF 00 on Heidelberg Stitchmaster



Electrical connection by separate plug contact (Cekon plug) – or by direct plug contact on BUSCH Automatic Punching Machines

Conveying heights and lengths of delivery chutes

<b>Technical Data</b>		<b>KF 110</b>	<b>KF 145</b>	<b>KF 175</b>	<b>HF 00</b>	<b>HF 35</b>
<b>Performance data</b>						
Conveying height (A)	mm	1100	1450	1750	-	350
Length of delivery chute (B)	mm	600*	600*	600*	1000	800
Conveying speed with 50 Hz	m/s	0,40	0,40	0,40	0,40	0,40
Conveying speed with 60 Hz	m/s	0,48	0,48	0,48	0,48	0,48
Power requirements: 3-phase current	kW	0,3	0,3	0,3	0,12	0,12
Power consumption 400V	A	0,6	0,6	0,6	0,25	0,25
<b>Measures and weights</b>						
Length (C)	mm	2485	2835	3135	1260	1510
Height (D)	mm	1310	1660	1960	505	545
Width (E)	mm	625	625	625	580	580
Net weight	kg	88	102	114	43	45

\* Types KF 110-80, KF 145-80 and KF 175-80: length of delivery chute (B) 800 mm.  
The total length of the machine (C) increases by 200 mm.

