



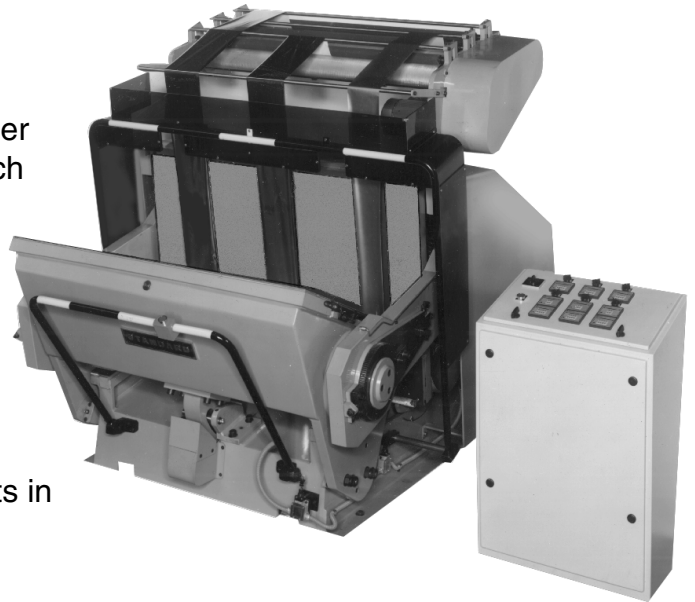
STANDARD PAPER BOX MACHINE CO., INC.

Serving the Converting Industry since 1919

Standard Air Clutch Die Cutter/Stamper

A wide opening press with infinite triple micrometer impression adjustment. Adjustable dwell, air clutch and brake, automatic motorized oiling, automatic production mode control and adjustable register controls. Available with multi-zone die heater system. Optional Foil Miser digitally programmed foil puller is available.

All new Standard Platen Die Cutters meet or exceed the safety requirements of the US B65.5 ANSI Standard, or the CE requirements in Europe.



SPECIFICATIONS

	Model 00	Model A	Model I	Model II	Model III
Inside Chase Measurements	18x26 in. 46x66 cm	21 ¹ / ₂ x30 ¹ / ₄ in. 55x77 cm	25 ¹ / ₂ x37 ³ / ₈ in. 65x95 cm	32 ¹ / ₄ x44 in. 82x112 cm	39 ³ / ₈ x55 in. 100x140 cm
Maximum Sheet Size	20x28 in. 50x71 cm	23x32 in. 58x81 cm	27x39 in. 68x99 cm	33x46 in. 84x117 cm	42x58 in. 106x147 cm
Horsepower Required	3	3	5	7.5	10
Approximate net weight	4,400 lbs. 2000 kg.	6,000 lbs. 2700 kg.	8,000 lbs. 3650 kg.	10,000 lbs. 4600 kg.	14,020 lbs. 6500 kg.

	Model IV	Model VI	Model VIE	Model VII	Model VIII
Inside Chase Measurements	43 ¹ / ₄ x63 in. 110x160 cm	47 ¹ / ₂ x78 ³ / ₄ in. 120x200 cm	55x78 ³ / ₄ in. 140x200 cm	59x98 ³ / ₈ in. 150x250 cm	59x118 in. 150x300 cm
Maximum Sheet Size	45x66 in. 114x167 cm	48x80 in. 122x203 cm	56x80 in. 142x203 cm	60x100 in. 152x254 cm	60x120 in. 152x300 cm
Horsepower Required	15	20	20	25	30
Approximate net weight	19,000 lbs. 8650 kg.	28,600 lbs. 13,000 kg.	30,000 lbs. 13,750 kg.	40,000 lbs. 18,000 kg.	49,000 lbs. 22,250 kg.

In accordance with our policy of continuous improvement, we reserve the right to change specifications without notice. All data given is approximate. No details in the text or illustrations are binding or part of any contract.

347 Coster Street, Bronx, NY 10474 • (718) 328-3300 • Toll Free 1-800-367-8755 • Fax (718) 842-7772
Email: spbm@prodigy.net • Internet <http://www.standardmachineco.com>