

CASING-IN MADE SIMPLE!



Sticker™

The ODM Casing-in Machine – Sticker™

This economical and compact machine was designed with On demand binding operations in mind. The operation of the Sticker™ consists of placing the book on the wing while the machine is in the home position. After the book is loaded, the operator depresses a foot switch that drops the wing below the glue rollers.

A servomotor brings the two glue stations in contact with the book while the wing travels upward, applying a uniform coating of adhesive to the end-sheets. As the book emerges from the glue pots the operator places the cover in position with a handy cover guide and removes the book from the wing. No make-ready time is required as the machine is self-adjusting. Glue stations are easily removed for a quick cleanup.

- Produce 100 to 400 books per hour.

OPTIONAL FEATURES:

- Extra paste attachment deposits additional adhesive in joint area.
- Three position blade height control.
- Small roller glue station for rounded and backed books.
- Large format model available.

New Cover Guide Designed for Casing-in Thin Books.



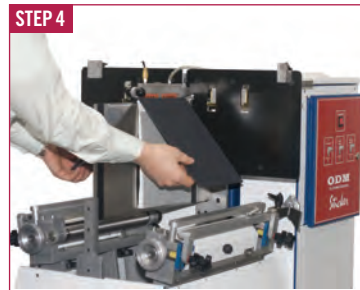
Casing-in thin books on a blade based casing-in machine has always been a difficult and tedious task. Now with the cover guide, the accurate placement of thin covers is a snap. In addition, it saves production time, eliminating the manual operation of 'pre forming' the covers.



Open cover is inserted into the cover guide. The spine portion of the cover is held in place with vacuum. Book block is placed on the wing.



When the wing returns back to the home position, the cover guide bar is (manually) lowered to contact the spine of the book block.



The cover is simply closed by the operator.



After the book is closed, the vacuum arm is (manually) returned to the home position and the book is removed from the wing.



Sticker™



ODM CASING-IN MACHINE

Sticker™ Casing-in Machine Offers Outstanding Value, Quality, and Performance!

SPECIFICATIONS & TECHNICAL DATA:	STICKER™ MODEL	STANDARD EQUIPMENT for STICKER™ CASING-IN MACHINE INCLUDE:
Maximum Book Size:	11" x 14" x 4"	<ul style="list-style-type: none"> • Easy to use control panel. • Self-adjusting machine requires no make-ready. • Compact size. • Glue stations are easily removed for quick clean-up.
Minimum Book Size:	4" x 4" x 1/32"	
Output (per hour):	100 to 400 books	
Floor Space:	42" x 27"	
Net Weight:	350 lbs.	
Power Required:	115V, 60 cycle, 13 Amps	
OPTIONAL EQUIPMENT AVAILABLE:		
Large Format Model		<ul style="list-style-type: none"> • Extra paste attachment. • Small roller glue station for rounded and backed books. • Three position blade height control.
Maximum Book Size:	16" x 14" x 4"	

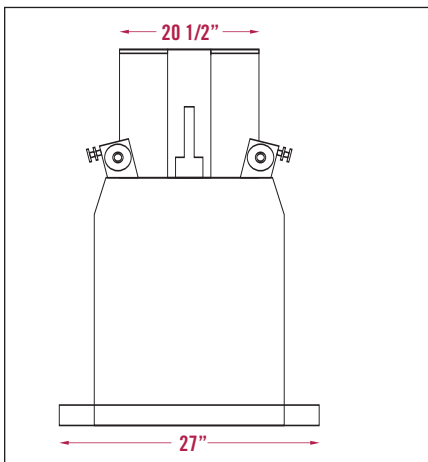


Easy to use control panel

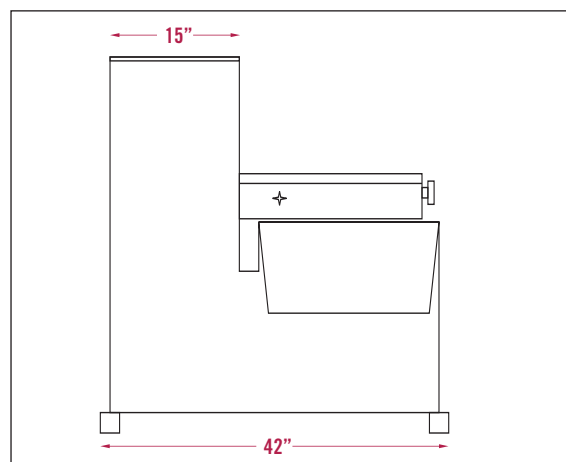


Optional:
Extra paste attachment
deposits additional
adhesive in joint area.

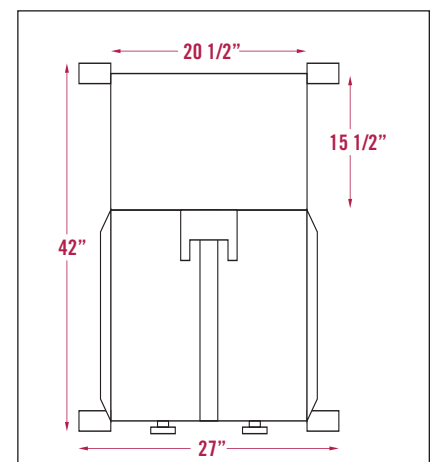
DIMENSIONS: FRONT VIEW



SIDE VIEW



OVERHEAD VIEW



ODM FREE TECH SUPPORT: 908-351-6906

150 Broadway, Elizabeth, NJ 07206 • Tel: 908-351-6906 • Fax: 908-351-7156 • www.ODMachinery.com