

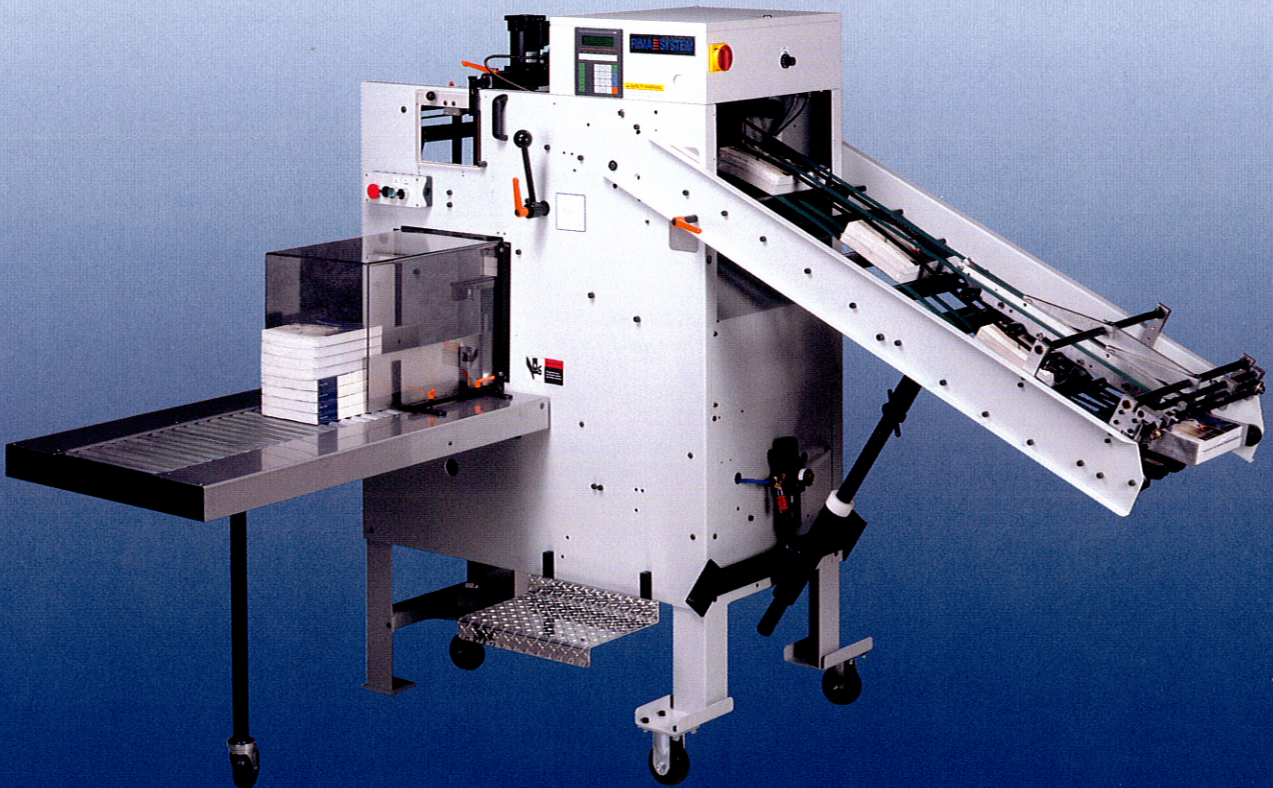
▶ POST PRESS

▶ MAIL ROOM

▶ BOOKBINDERY

## ▶ Always the right one

RS 33 S - the Bindery Stacker for thick products



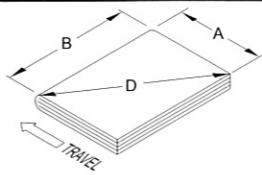
**RIMA  SYSTEM**



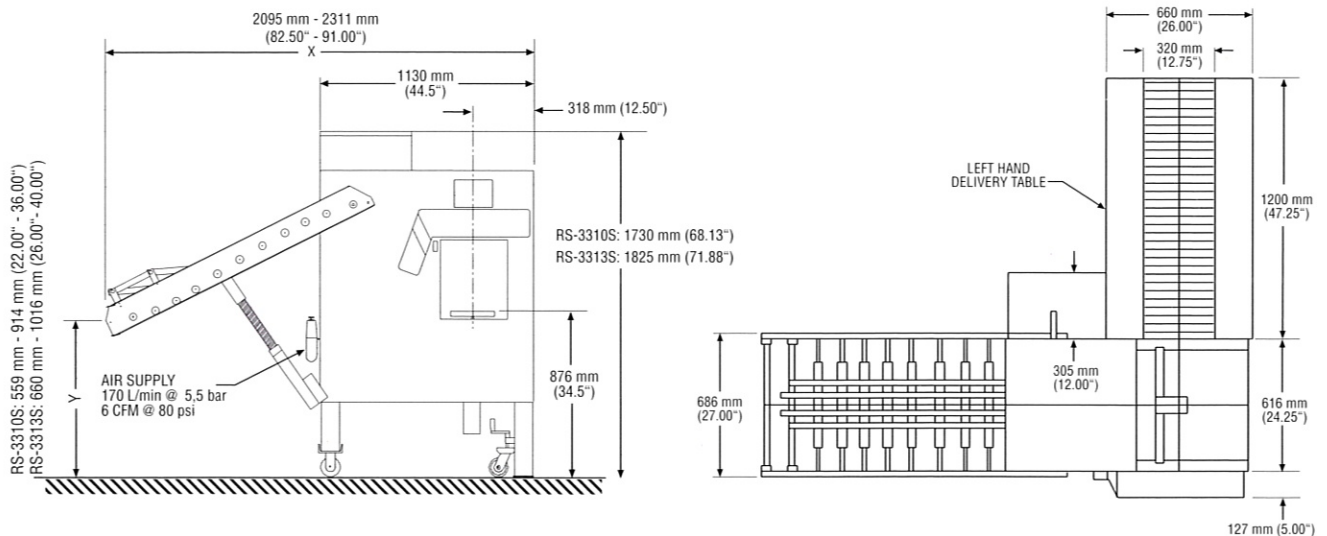
## Requirements & Solution

RS 33 S is the best solution for an efficient and careful handling of thick products (up to 85 mm). Typical applications are the stacking of telephone books, catalogues and hardcover books. With the "table pick-up option" the RS 33 S reduces the falling height and guarantees a smooth drop of the products from the upper bin into the lower turntable basket. The quick non-tool setup, different delivery directions (left, right, alternating, straight out) and minimum space requirements allow effective application in various configurations. In addition the proven reliability of the RIMA-SYSTEM Stackers guarantees years of return on your investment.

## Technical Data

Product size		Minimum	Maximum
	"A" Dimension	102 mm (4.00")	320 mm (12.63")
	"B" Dimension	152 mm (6.00")	470 mm (18.50")
	"D" Dimension	limited by "A" & "B"	520 mm (20.50")
	Thickness	7 mm (0.27")	64/80 mm (2.50"/3.15")
Infeed Height RS 3310S	var. between	559 mm (22.00")	914 mm (36.00")
Infeed Height RS 3313S	var. between	660 mm (26.00")	1016 mm (40.00")
Machine length X	var. between	2095 mm (82.50")	2311 mm (91.00")
Stack Height RS 3310S	upper bin	--	127 mm (5.00")
	total stack	--	235 mm (9.25")
Stack Height RS 3313S	upper bin	--	127 mm (5.00")
	total stack	--	330 mm (13.00")
Delivery Height	876 mm (34.50")		
Operating Speed	max. 12.000 products per hour (product permitting)		

Technical specification available on request. The manufacturer reserves the right to change the technical specifications without prior notice (RS 33S-E-08/99).



# RIMA SYSTEM

RIMA-SYSTEM Europe, Germany  
Postfach 27 03 49, D-40526 Düsseldorf  
Monschauer Str. 1, D-40549 Düsseldorf  
Phone +49 - 211 - 950 09 - 0  
Fax +49 - 211 - 950 09 - 11  
postpress@rima-system.d.uunet.de

RIMA-SYSTEM Far East Pte Ltd, Singapore  
11 Stamford Road, # 03-10 Capitol Building  
Singapore 178884  
Phone +65 - 338 5580  
Fax +65 - 338 5582  
rima@rimasystem.com.sg

RIMA-SYSTEM Corporate Office, USA  
5340 Argosy Drive, Huntington Beach  
CA 92649 USA  
Phone +1 - 714 - 893 4534  
Fax +1 - 714 - 892 7010  
rima@rimasystem.com

Your local dealer