

# wire-o®

# BB38

**The Most  
Economical  
Semi-Automatic  
Wire-O® Binder  
in the World!**

## FAST

1,800 cycles per hour—  
can produce 1,000 or more  
books per hour, depending on  
operator skill.

## EASY TO OPERATE

- Automatically cuts wire to proper length
- Automatically positions wire element for loading
- Operator simply places punched book on wire elements
- Automatically closes wire
- Automatically delivers book to conveyor



The complete Wire-O Binding machine.

## VERSATILE

- Binds book thicknesses from 1/8" to 7/8"
- Binds book sizes from 3 1/2" x 3 1/2" to 15" x 15"
- Binds flush cut, overhanging and wraparound covers

## FEATURE RICH

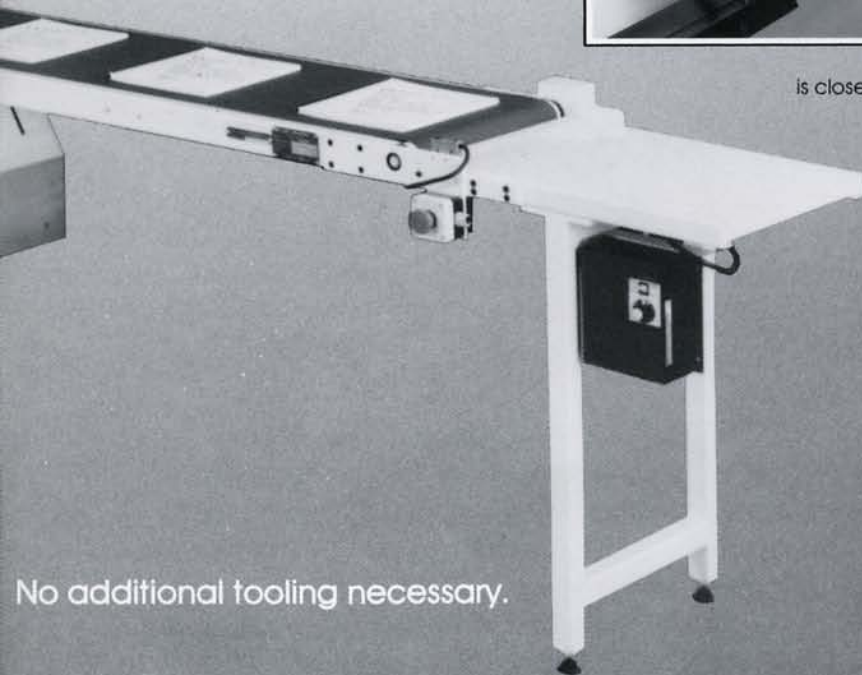
- Digital book and element counters
- Automatic wire closer
- Automatic, variable speed "take away" conveyor
- Easy pitch changeovers—3:1" and 2:1" for fast makeready



Operator places booklet on wire



Wire-O Binding is closed automatically



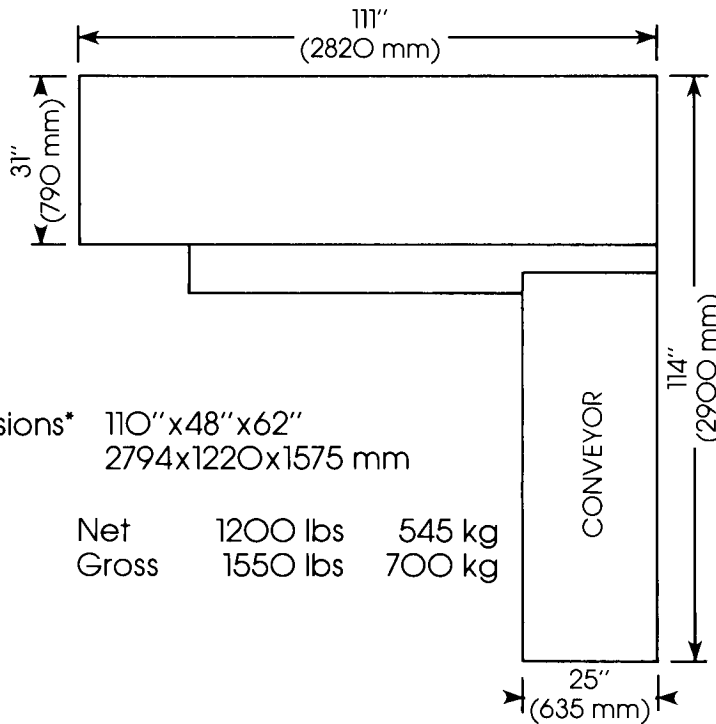
No additional tooling necessary.

Other BB38 models are available with optional features for even more efficiency such as:

- Paper shredder for waste
- Cover flipper
- Jogger
- Criss-cross jogger
- Shrink-wrap interface
- 4:1" skip binding
- Calendar hanger binding
- On-board air compressor

Wire Capacity	min. 3/16"	4.8 mm
	max. 1"	25.4 mm
Book Thickness	min. 1/8"	3.2 mm
	max. 7/8"	22.2 mm
Binding Edge	min. 3 1/2"	88.9 mm
	max. 15"	381.0 mm
Non-binding Edge	min. 3 1/2"	88.9 mm
	max. 15"	381.0 mm
Electrical Power	110V single phase 60hz 220V single phase 50hz	
Air Supply	80 PSI using 3.2 CFM maximum 5.52 bar using 88 liters/min	

Dimensions



Packed Dimensions\* 110" x 48" x 62"  
2794 x 1220 x 1575 mm

Weights*	Net	1200 lbs	545 kg
	Gross	1550 lbs	700 kg

\*Approximate

205 COTTAGE STREET / P.O. BOX 430  
POUGHKEEPSIE, NY 12602  
(914) 454-8200 (800) 431-4610  
FAX: (914) 454-8208



**JAMES BURN  
INTERNATIONAL**

AMERICAN Standard company

6205 ENGLE WAY UNIT G  
GILROY, CA 95020  
(408) 847-1233 (800) 227-5884  
FAX: (408) 847-1122

JAMES BURN INTERNATIONAL  
DOUGLAS ROAD, ESHER  
SURREY, KT10 8BD  
ENGLAND  
TELEPHONE: 011-44 (372) 466801  
FAX: 011-44 (372) 460151

JAMES BURN INTERNATIONAL SA  
67 RUE DU DOCTEUR BLAIZOT  
B.P. 134 61304 L'ANGLE, Cx  
FRANCE  
TELEPHONE: 011-33 (33) 24 04 99  
FAX: 011-33 (33) 24 30 99

JAMES BURN INTERNATIONAL AB  
BOX 200 73  
S-200 74 MALMÖ  
SWEDEN  
TELEFON: 011-46 (40) 733 55  
FAX 011-46 (40) 91 20 40

JAMES BURN INTERNATIONAL GmbH  
POSTFACH 54 07 52  
D-2000 HAMBURG 54  
GERMANY  
TELEFON: 011-49 (40) 540 70 13  
FAX: 011-49 (40) 540 70 90

JAMES BURN INTERNACIONAL SA  
UNION 59-A  
08912 BADALONA  
BARCELONA, SPAIN  
TELEFONO: 011-34 (3) 383-6256  
FAX: 011-34 (3) 383-8258