

## Compact Casemaker

# BDM

## COMPACT 60

### Technical Specification

**Capacity:**

up to 60 cases / min.

**Case size (open):**

min. 100 x 170 mm  
max. 390 x 660 mm

**Board thickness:**

min. 1 mm  
(dependent upon material)  
max. 4 mm

**Spine width:**

min. 8 mm / option 6 mm  
max. 90 mm

**Boardcutter:**

min. 6 mm  
max. 90 mm

**Hinge width:**

min. 5 mm  
max. 15 mm

**Distance between the two boards:**

min. 16 mm  
max. 120 mm

**Thickness of rigid spine:**

min. 1 mm  
max. 3 mm  
depends on width

**Thickness of flexible spine:**

min. 0,3 mm  
max. 0,6 mm

**Thickness of cover material:**

min. 0,1 mm  
max. 0,3 mm

**Power requirements:**

approx. 19 kW without board cutter  
approx. 20,5 kW with board cutter

**Compressed air requirements:**

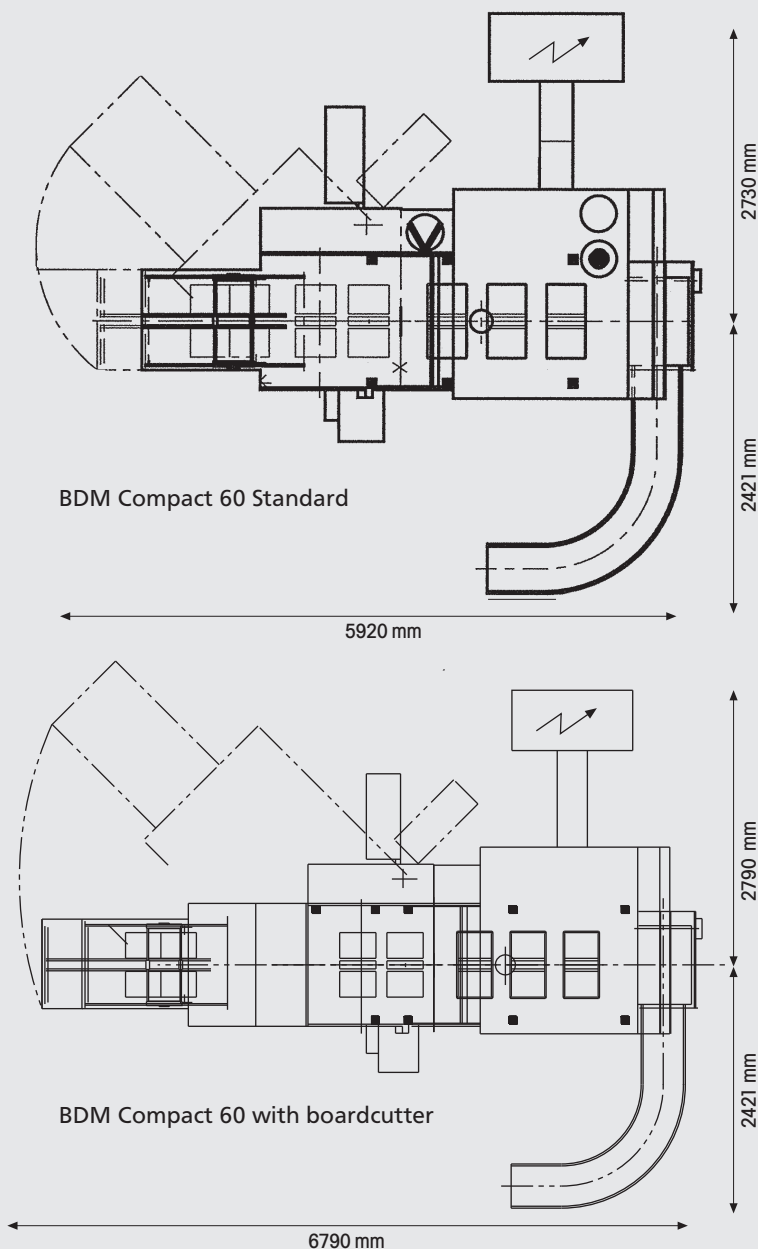
approx. 1200 NI/minute at 6 bar

**Weight of machine:**

approx. 5800 kg without board cutter  
approx. 6800 kg with board cutter

**Weight of switch cabinet:**

approx. 800 kg



Michael Hörauf Maschinenfabrik GmbH & Co. KG

Mozartstraße 39 - 41 · D - 73072 Donzdorf - Germany

Phone: +49(0) 7162 / 942-0

e-mail: sales@hoerauf.com

Fax: +49(0) 7162 / 942-510

www.hoerauf.com



# Compact Casemaker

# BDM COMPACT 45

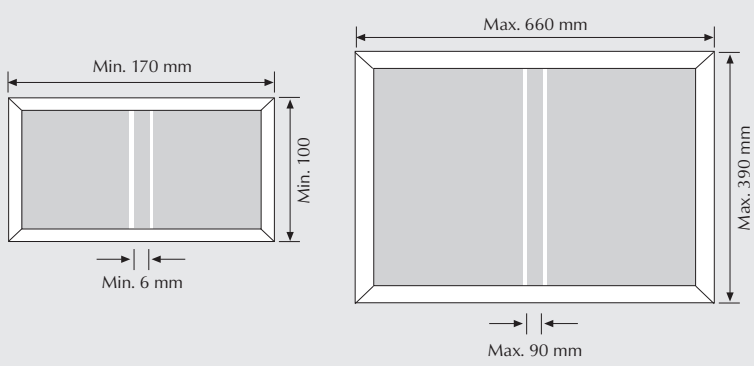
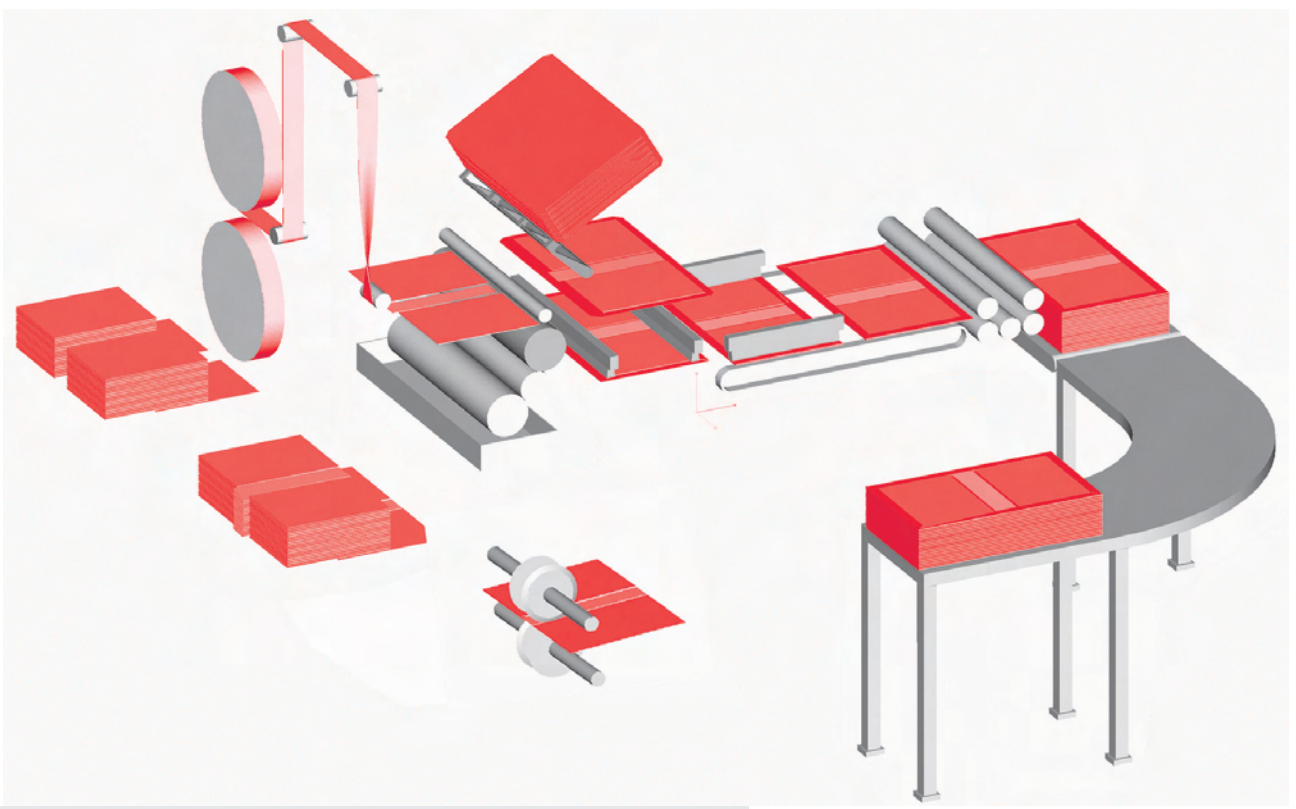


Fig. partly similar, technical changes reserved.