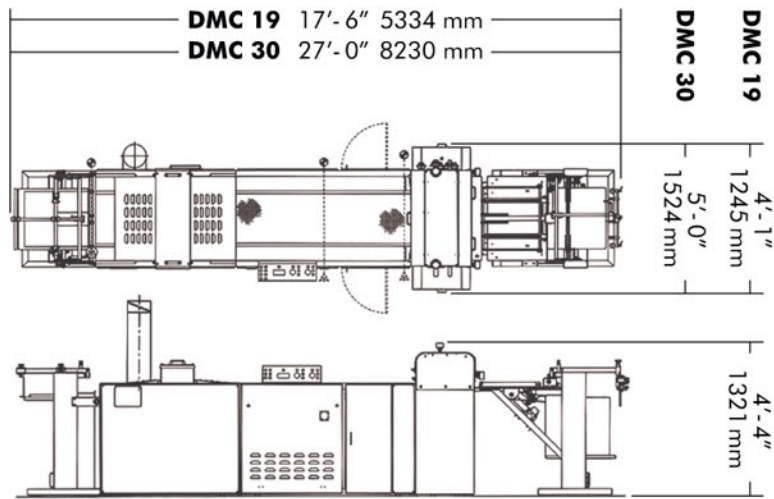
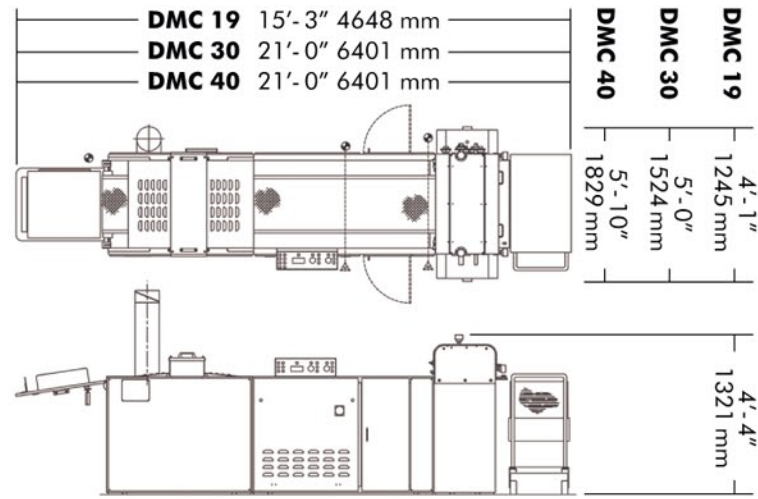


# DMC Series Roller Coating System

## Automatic



## Hand Fed



Standard Features	Optional Features
Coats 80 lbs (216gr) cover stock up to 1/4" rigid stock.	Light-weight stock air stripping system. Coats 80 lbs (115gr) gloss book/text, and above. (Patent Pending)
Gloss, Matte, and Satin Coating	IN-line cooling/heating sections
Automatic: Speeds over 4,000 iph (depending on stock thickness and size)	Patented crush roller
Hand Fed: Speeds up to 3,500 iph (depending on stock thickness and size)	Drop down conveyor system
UL and CE Certified	5' feed in conveyor section
Vacuum hold down throughout	
Fire preventative U.V. curing system / safety guards / emergency stops	
Transparent guard enclosure for operator safety, and dust free environment	
8 gallon closed loop recirculating U.V. dispensing system	
Precision coating metering adjustments	
A/C inverter chain drive system with electronic overload	
Hardened, polished chrome doctor and bottom rollers	
Digital variable speed control	
Special high density U.V. resistant applicator roller	
Single air cooled, adjustable 200/300 wpi, direct focused U.V. lamp	

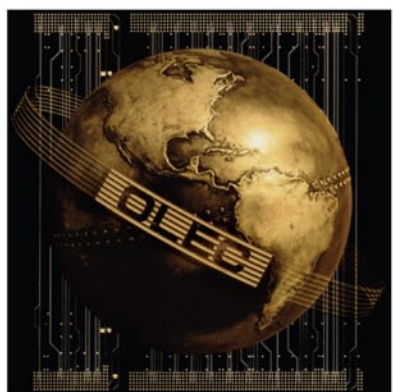


## **OLEC** Corporation

1850 East Saint Andrew Place  
 Santa Ana, CA 92705, USA | **Phone:** 714-258-5600 | **Fax:** 714-258-5601  
**Email:** info@olec.com | **www.olec.com**  
 Copyright © 2006 OLEC Corporation. All rights reserved.



World Leader In Imaging Technology



World Leader In Imaging Technology

Enhance Your **Image**





DMC 19 Automatic Shown

Olec's new DMC Series Roller Coaters are the most innovative, and user-friendly coating lines on the market today. These coaters produce high quality UV gloss, matte, and satin finishes on a variety of printed stocks. Including; Screen, digital, and thin stock. The DMC Series provides an easy-to-use-interface, with controls for roller speed, conveyor belt speed, and lamp power settings. The DMC Series is an integrated modular system, with an approved UL Control panel.

Automatic Stacker



DMC 19 Hand Fed Shown



Pneumatic Sheet Catcher

Roller Enclosure

Adjustable Drive Wheels

## Optional Equipment



Heating/IR Sections

Drop Down Conveyor

Patented Crush Roller

Thin Stock Air Stripping Device

Models	DMC 19	DMC 30	DMC 40 Hand Fed*
Maximum Sheet Size	19" x 25.5"/483 mm x 648 mm	30" x 30"/762 mm x 762 mm	40" x 40"/1016 mm x 1016 mm
Minimum Sheet Size	8 1/2" x 11"/216 mm x 279 mm	8 1/2" x 11"/216 mm x 279 mm	8 1/2" x 11"/216 mm x 279 mm
Compressed Air	100 PSI @ 5 CFM	100 PSI @ 5 CFM	100 PSI @ 5 CFM
Electrical	208/240 VAC, 1Ph, 50/60 Hz	208/240 VAC, 1Ph, 50/60 Hz	208/240 VAC, 1Ph, 50/60 Hz
Exhaust Air Volume	1000 CFM	1000 CFM	1000 CFM

\*Automatic Stacker and Feeder available upon request.