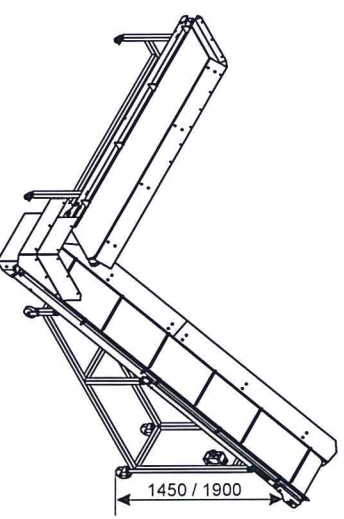
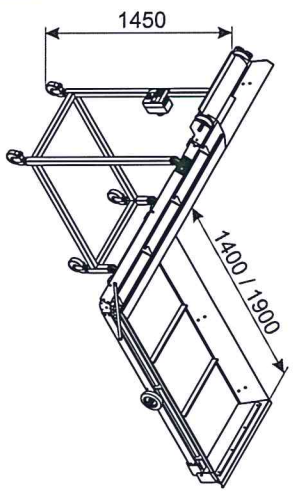


# WASTE CONVEYORS FOR FLAT-BED DIE-CUTTERS

- MODEL SERIES 2012 -

Transport of waste from the stripping station of the flat-bed die-cutter into a container, externally positioned

- with one single conveyor into a container up to a height of 145 cm
- with two conveyors into a container up to a height of 190 cm



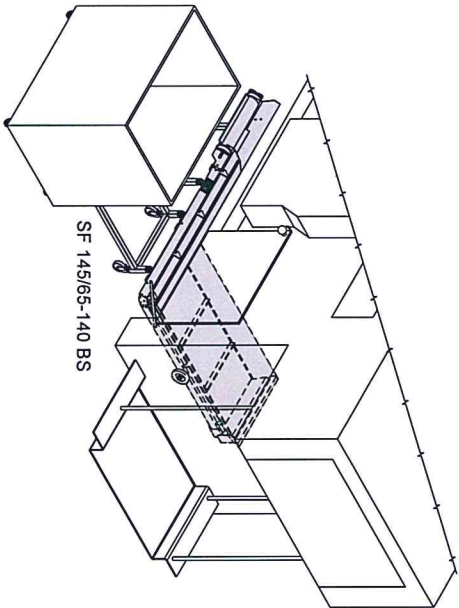
Model	SF 145/65-140 BS	SF 145/65-190 BS	SF 145/50 BS	SF 190/50 BS	HF 00-210 BS
Conveying height	1450	1450	1450	1900	-
Conveying speed	0,4	0,4	0,4	0,4	0,4
Power requirements (3-ph.)	0,3	0,3	0,3	0,3	0,3
Power consumption 230/400V	1,0	1,0	1,0	1,0	1,0
Dimensions					
Length	3445	3945	2995	3775	2340
Height	1910	1910	1815	2265	740
Width	795	795	645	645	600
Net weight	120	135	127	150	75

# Waste Conveyors

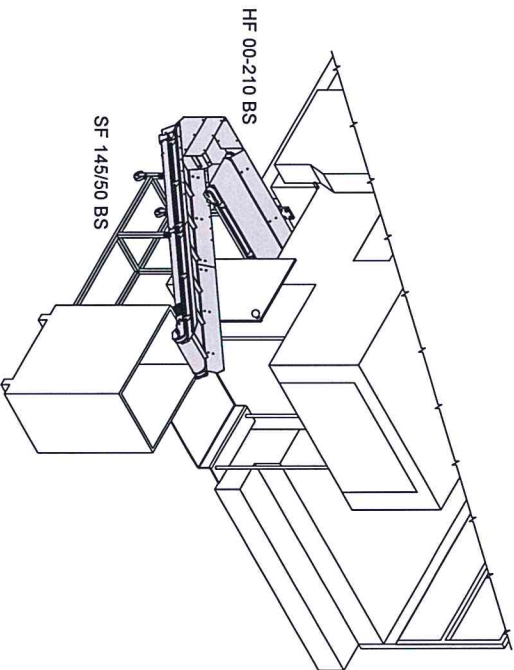
WASTE CONVEYORS  
FOR FLAT-BED DIE-CUTTERS  
- MODEL SERIES 2012 -

**BUSCH**  
GRAPHISCHE  
MASCHINEN

Transport of waste from the stripping station of the flat-bed die-cutter into a container, externally positioned



with one single conveyor into a container up to a height of 145 cm



with two conveyors into a container up to a height of 190 cm