

Hi-TEC XXL Cutting Machines



- | Machine frame is constructed of high strength steel and iron castings to provide high stability and cut exactly. Robust Construction ensures decades of service life and dependability.
- | Nickel Chromium table surfaces with programable air provides easy materials handling.
- | Micro computer with 15 inch touchscreen displays precision cut dimensions to resolution of 0.01m/m, and 24,600 point memory allows for free size-setting to increase cutting job storage capacity. New cutting position can be added or edited in memory without changing the entire program.
- | Hydraulic Pressure Clamp System is constructed with double-pull type action and two-step pressure device.
- | Cutting cycle operates by electro-magnetic clutch & brake.
- | Electromagnetic hand wheel provides fine tuning in manual mode.
- | Dual worm gears and dual-arm construction provides highest precision cutting and smoothest operation.
- | Complete safety and protection devices provide security with no danger for the operator.
- | Suitable for cutting paper, cardboard, rubber, cork, veneer, leather, plastics, and more.



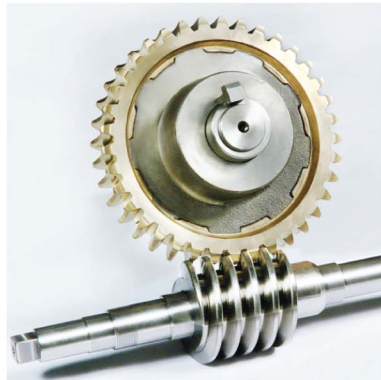
New 15 inch touch screen



Electromagnetic hand wheel for fine tuning



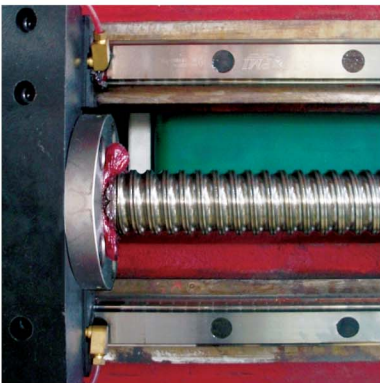
Electromagnetic Clutch/brake



Hard Casting worm-gear assures quiet cutting

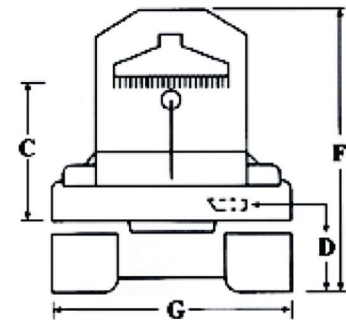
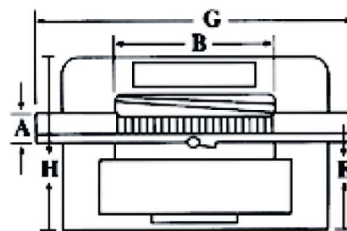


Device for safety and Blade Adjustment procedures



Ball Bearing Screw & Double Linear rails for high precision

Machine Dimensions



SPECIFICATIONS			XXL 220 _d (87")	XXL 260 _d (103")	XXL 300 _d (118")
A	Cutting Thickness	mm/inch	150 (5.9)	150 (5.9)	150 (5.9)
B	Cutting Width	mm/inch	2200 (86.61)	2600 (102.36)	3000 (118.11)
C	Cutting Length	mm/inch	2200 (86.61)	2600 (102.36)	3000 (118.11)
D	Front Table Length	mm/inch	840 (33)	840 (33)	840 (33)
E	Table Height	mm/inch	900 (35.43)	900 (35.43)	900 (35.43)
F	Machine Length	mm/inch	3660 (144.09)	4060 (159.84)	4460 (175.59)
G	Machine Width	mm/inch	3900 (153.54)	4300 (169.29)	4700 (185.03)
H	Machine Height	mm/inch	1800 (70.86)	1800 (70.86)	1800 (70.86)
Electrical Supply			As required	As required	As required
Blade Motor		KW(HP)	5.625(7 1/2)	7.5(10)	7.5(10)
Clamp Motor		KW(HP)	3.75(5)	3.75(5)	3.75(5)
Paper Feeding Motor		KW(HP)	0.75(1)	0.75(1)	0.75(1)
Air Table Motor		KW(HP)	0.75(1)	0.75(1)	0.75(1)
Net Weight		kg	7600	8600	10800

★ Technical data subject to change without notice