

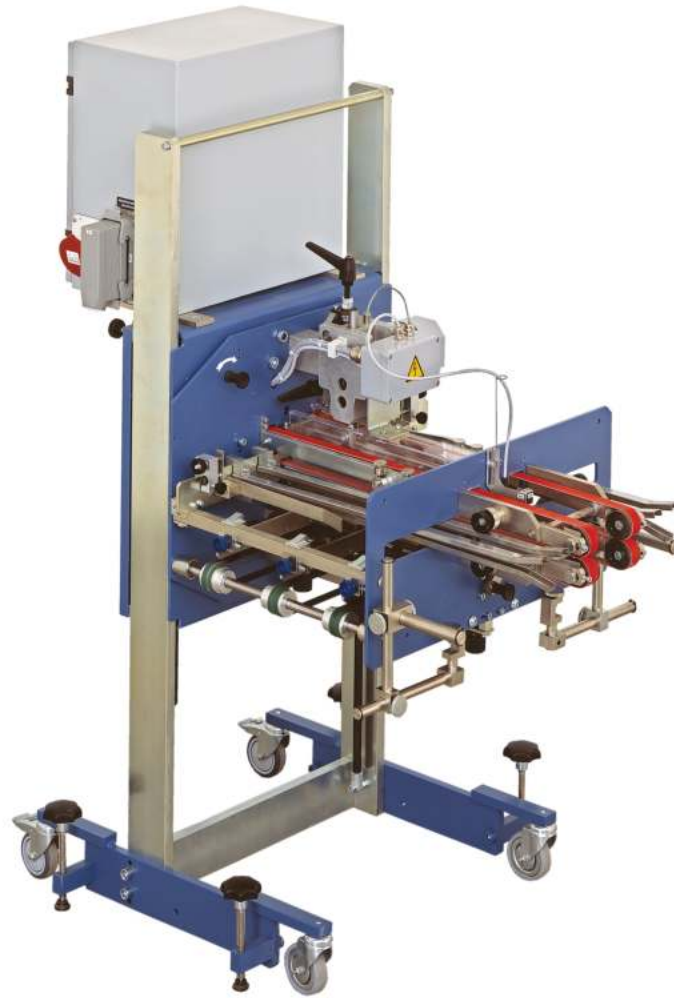
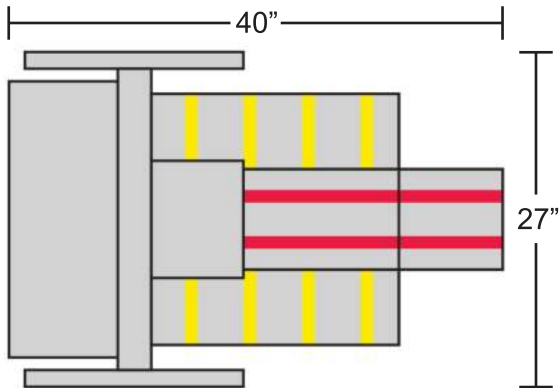


MBO

America
Finishing First

Mobile unit - 180° rotation
for Up or Down Folds

- For use on buckle and combination folders as a 4th unit for folding either English, German or International four-fold.
- For use as folding unit 3 (16 page) on buckle folders. The knife exit position can be toward the operator for the "U" shaped delivery.
- May be used for parallel folding on the spine after the first or second folding units.
- Can be used on saddle stitchers for brochures if a cross or parallel fold is required after stitching.
- May be used as a final signature folder for a rotary feeder with a cross carrier and delivery.



TECHNICAL DATA

In-feed width	5 3/4" min. 18 3/4" max.	Productivity	15,000 impulses per hour (max.)
In-feed length	3" min. 12 1/2" max.	Final sheet size	4" x 5 3/4"
In-feed height	17 3/4" min. 35 1/2" max.	Roller adjustment	Direct central adjustments
Exit height	4" below and above in-feed height	Direction to delivery	Left or right (reversible)
Knife control	Approx. 1/2" steps digitally programmable	Product thickness	1/4" if folded
Speed	33-530 feet per minute	Power supply	0.37 kw



MBO

America
Finishing First

400 Highland Drive • Westampton • NJ • 08060 • Tel: 609-267-2900 • Fax: 609-267-1477 • www.mboamerica.com

Z2 Knife Folding Unit