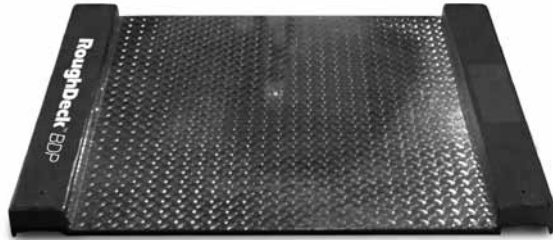


RoughDeck® BDP

Barrel Scale – Standard Model



STANDARD FEATURES

- Live siderails
- Top access foot adjustment holes (holes are 1/2-13 threaded for lifting scale)
- Four adjustable stainless steel SUREFOOT™ support feet
- 30in x 31in or 36in x 37in weighing surface (not including side rails)
- TuffSeal® JB4SS stainless steel, NEMA 4x junction box with signal trim card
- Three-year limited warranty

Mild Steel Models

- Treaded top plate
- Alloy steel load cells

Stainless Steel Models

- Smooth top plate
- Stainless steel or stainless steel with welded-seal (IP67) load cells

APPROVALS



Measurement
Canada
Approved



SPECIFICATIONS

END LOAD CAPACITY:

1000lb: 100% full scale
2500lb: 80% full scale

CABLE LENGTH:

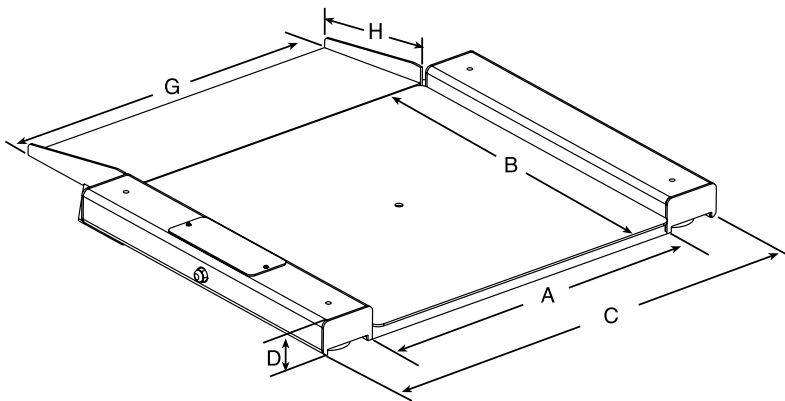
10ft (3m)

WARRANTY:

Three-year limited warranty

APPROVALS:

NTEP Certified, COC#03-060
Measurement Canada Approved: AM-5578



ROUGHDECK BDP W/ACCESS RAMP DIMENSIONS			
30 IN x 31 IN MODELS			
A	30.0in (762mm)	D	3.31in (84.1mm)
B	31.0in (787.4mm)	G	30.0in (762mm)
C	40.0in (1016mm)	H	12.0in (304.8mm)
36 IN x 37 IN MODELS			
A	36.0in (914.4mm)	D	3.31in (84.1mm)
B	37.0in (939.8mm)	G	36.0in (914.4mm)
C	46.0in (1168.4mm)	H	12.0in (304.8mm)

Distance from floor to top of center weighing surface: 1.625in (41.2mm)

Distance from floor to bottom of weighing surface: 0.31in (7.87mm)

RoughDeck® BDP

Barrel Scale – Standard Model

PART #	SIZE (W x L)	CAPACITY (CANADIAN APPROVED CAPACITIES)	EST. SHIP WEIGHT	PRICE
--------	--------------	--	---------------------	-------

NTEP CERTIFIED

Mild Steel

77962.....	30 in x 31 in	1,000 lb (500 kg).....	205 lb	Consult
77963.....	30 in x 31 in	2,500 lb (1,000 kg).....	205 lb	Consult
77964.....	36 in x 37 in	1,000 lb (500 kg).....	265 lb	Consult
77965.....	36 in x 37 in	2,500 lb (1,000 kg).....	265 lb	Consult

Stainless Steel

77967.....	30 in x 31 in	1,000 lb (500 kg).....	205 lb	Consult
77968.....	30 in x 31 in	2,500 lb (1,000 kg).....	205 lb	Consult
77969.....	36 in x 37 in	1,000 lb (500 kg).....	265 lb	Consult
77970.....	36 in x 37 in	2,500 lb (1,000 kg).....	265 lb	Consult

Stainless Steel with Stainless Steel Welded-Seal (IP67) Load Cells

77971.....	30 in x 31 in	1,000 lb (500 kg).....	205 lb	Consult
77972.....	30 in x 31 in	2,500 lb (1,000 kg).....	205 lb	Consult
77973.....	36 in x 37 in	1,000 lb (500 kg).....	265 lb	Consult
77974.....	36 in x 37 in	2,500 lb (1,000 kg).....	265 lb	Consult

ACCESS RAMPS

Mild Steel

78011.....	30 in x 12 in (sold individually)		25 lb	Consult
78012.....	36 in x 12 in (sold individually)		30 lb	Consult

Stainless Steel

78013.....	30 in x 12 in (sold individually)		25 lb	Consult
78014.....	36 in x 12 in (sold individually)		30 lb	Consult

OPTIONS/ACCESSORIES

18777.....	Floor anchor plates, mild steel, set of two (for use with static scale, without ramps)			Consult
18778.....	Floor anchor plates, stainless steel, set of two (for use with static scale, without ramps)			Consult
19352.....	Floor stand for indicator, 36.3 in high, mild steel (for use with static scale)			Consult
28740.....	Floor stand for indicator, 36.3 in high, stainless steel (for use with static scale).....			Consult