



PRESSROOM / BINDERY PRODUCTS

WORLD CLASS EQUIPMENT

FOR OVER 40 YEARS

› Direct Importers › Service Technicians › Parts Inventory

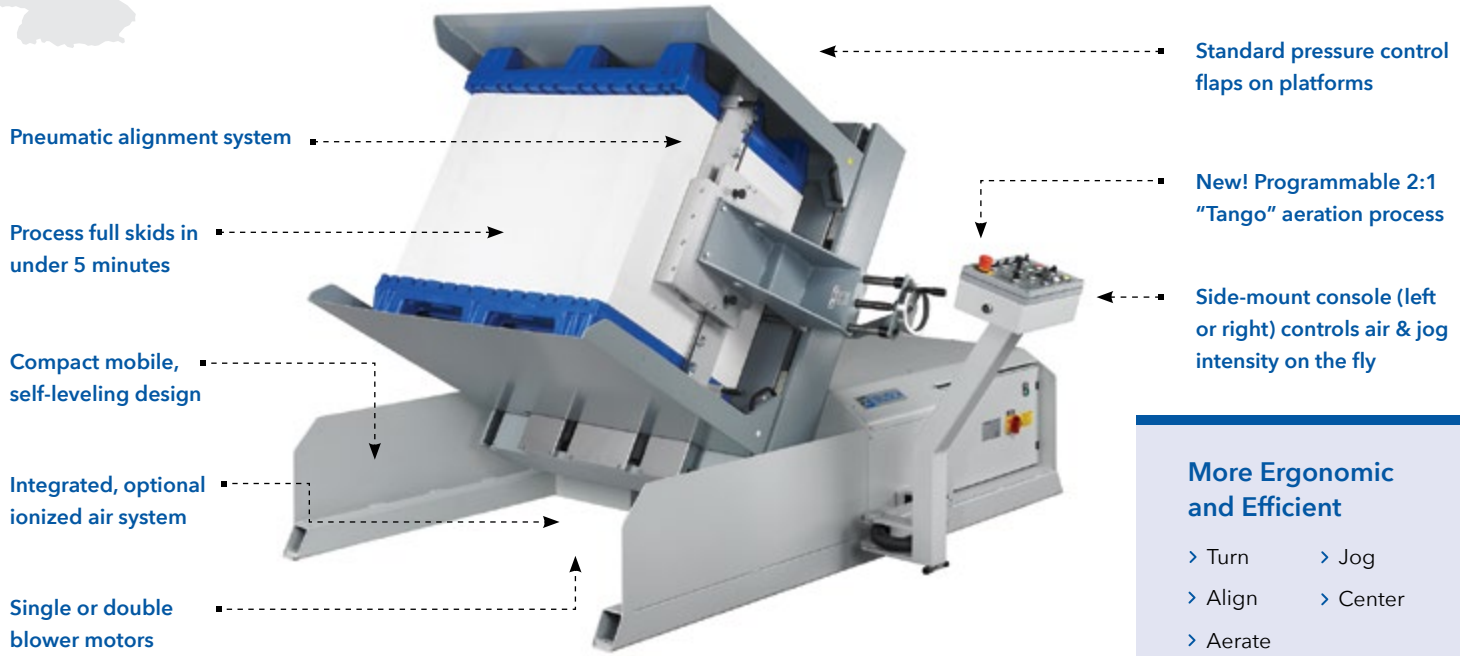
Nearly 600 new & used listings at www.BestGraphics.net



PILE TURNER-AERATORS

HAMBURG, GERMANY

3-year
warranty



Pneumatic alignment system

Process full skirts in under 5 minutes

Compact mobile, self-leveling design

Integrated, optional ionized air system

Single or double blower motors

Standard pressure control flaps on platforms

New! Programmable 2:1 "Tango" aeration process

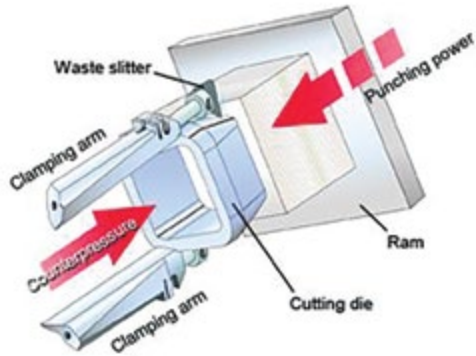
Side-mount console (left or right) controls air & jog intensity on the fly

More Ergonomic and Efficient

- > Turn
- > Jog
- > Align
- > Center
- > Aerate

BUSCH HIGH DIE CUTTERS

Video»



Removable Counter-Pressure Device

Tolerance without Counter-Pressure
+/- 0.2mm (1/64th of an inch)

Trim Waste Margins
+/- 2.5mm (3/32nds of an inch)

Better than the Competition
1/3rd more product per punch than PMC

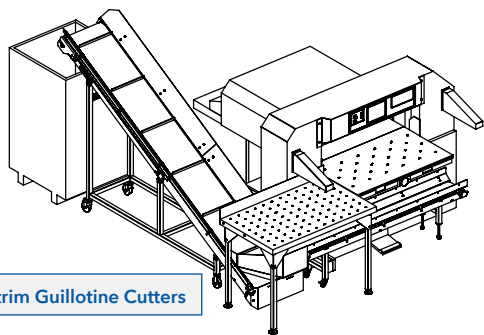
Faster Setup
5-clamp adjustment versus 4-clamps

Machines:

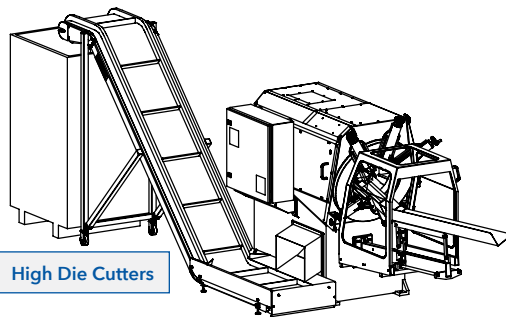
- > Model A 7 x 7"
- > Model B 9 x 9"
- > Model BLS 9 x 12.5"
- > Model CL 13 x 15"
- > Oversized up to 16"

BUSCH WASTE CONVEYORS

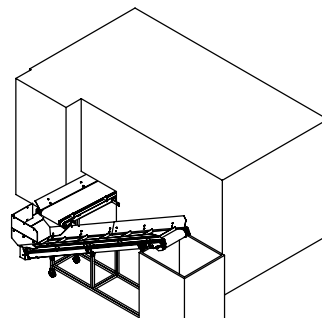
Busch Conveyors support Osako, Muller Martini, Horizon, Polar, Bobst and other major machine manufacturers.



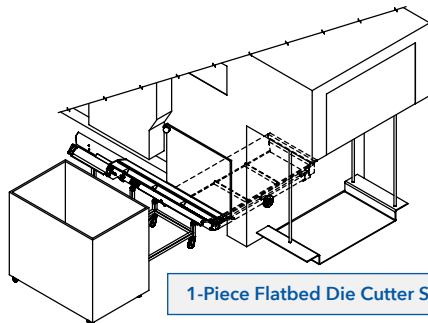
Auto-trim Guillotine Cutters



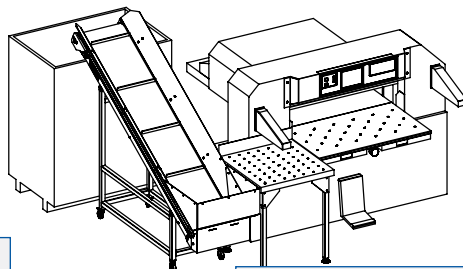
High Die Cutters



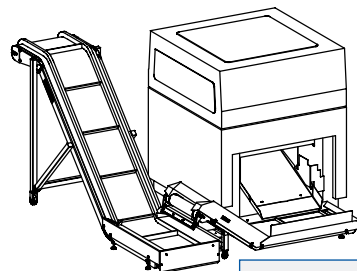
2-Piece Flatbed Die Cutter Solutions



1-Piece Flatbed Die Cutter Solutions



Standard Guillotine Cutters



Three Knife Trimmers

BUSCH BANDERS



TB-26

- > Up to 10.25" wide, 6.67" thick
- > 25 - 30 bands per minute

TB-39

- > Up to 15 - 20 bands per minute

Versatile, everyday machines for brown Kraft paper, or clear plastic banding of booklets, labels, signatures and mailing applications.



ZFB-32

- > Inline, 1.96 x 2.75" | 12.99 x 12.59"
- > Manual Load, 1.57 x 2.75" | 12.59 x 29.5"
- > Up to 18 bundles per minute

Available as an inline, or nearline solution, the ZFB series is ideal for stitched booklets, or guillotine cut product of medium volumes.



MB-104

- > Capable of banding 40" wide products, down to 1.69" narrow products
- > Up to 8 cycles per minute

Patented machine design for high volume label, or cut-n-stack applications where product - across multiple lanes - is varied in height and width.

SECONDHAND MACHINES



Cutters, Joggers, Unloader



Bookletmakers, Folders,
Perfect Binders



Film Laminators



Punches & Collators



Saddle Stitchers, Perfect Binders



Bookletmakers, Coaters,
Slitter/Cutter/Creasers



Stackers



Hard Cover Casemaking



Folders, Stackers



Pharmaceutical Folders



Casemakers, Dust Jacketers,
Perfect Binders



Creasers-Folders

KEEPING YOU UP-AND-RUNNING

PARTS & SERVICE

MILWAUKEE, WISCONSIN

Parts Department

Best Graphics maintains nearly \$750,000 USD in parts on the shelves at our Milwaukee, WI facilities. Parts are actively monitored via our inventory software system.

On-hand parts can drop ship for next-day arrival if ordered before 4pm CST. Hard to find parts, belts, gears and electronics will drop ship directly from our manufacturer partners to help get you up-and-running as quickly as possible.

Need key components for your Bindery, Finishing equipment that's out of warranty? Call us today.

Contact Our Parts Department

Call 1-800-236-7603 ext. 110 or email Parts@BestGraphics.net



Contact Service and Support

Call 1-800-236-7603 ext. 109 or email GaryM@BestGraphics.net

Service Scheduling

Best Graphics staff a full team of Service Technicians to help support the 150-175 machine sales, installations we complete annually.

Need help troubleshooting on an out-of-warranty machine? Want a refresher on how to run that tricky, 2-up booklet? Can't remember how to do a knife change on your recently purchased Guillotine Cutter? Call us today. Over-the-phone support is free-of-charge, while onsite service is billed out on hourly, or daily rates.

3 FLEXIBLE FINANCING OPTIONS

EQUIPMENT FINANCING

APPLICATION ONLY

- > Approval for up to \$350,000 USD
- > Over-the-phone consultation
- > No financials needed

Looking to grow your customer base? Is your local lender skeptical of that new capital asset? Go App Only, and get approved after one phone call.

Don't let a point, or two get between you, and increasing your manufacturing productivity!

LEASES & RENTALS

- > Have other debt?
- > Trying to gain management approval?
- > Need a creative, off-balance-sheet solution for your next capital purchase?

Best Graphics can supply **3-year operating lease solutions** with machine buy outs, or machine buy back guarantees.

5 & 7 YEAR FINANCING

- > Need easy money? Money when you need it as low as \$50,000 USD
- > First month, and last month due at signing

Do it the old fashioned way. Call us for today's monthly carrying costs on **60-month**, and **84-month financing packages**.



Best Graphics, Inc.

W222 N600 Cheaney Drive
Waukesha, WI 53186

Telephone +1 (262) 522-3330
Fax +1 (262) 522-3280
Toll-free (800) 236-7603

E-mail Sales@BestGraphics.net

Nearly 600 listings at www.BestGraphics.net

Product design and technical specifications subject to change without notice.

