

wire-o®

BB38

**The Most
Economical
Semi-Automatic
Wire-O® Binder
in the World!**

FAST

1,800 cycles per hour—
can produce 1,000 or more
books per hour, depending on
operator skill.

EASY TO OPERATE

- Automatically cuts wire to proper length
- Automatically positions wire element for loading
- Operator simply places punched book on wire elements
- Automatically closes wire
- Automatically delivers book to conveyor



The complete Wire-O Binding machine.

VERSATILE

- Binds book thicknesses from 1/8" to 7/8"
- Binds book sizes from 3 1/2" x 3 1/2" to 15" x 15"
- Binds flush cut, overhanging and wraparound covers

FEATURE RICH

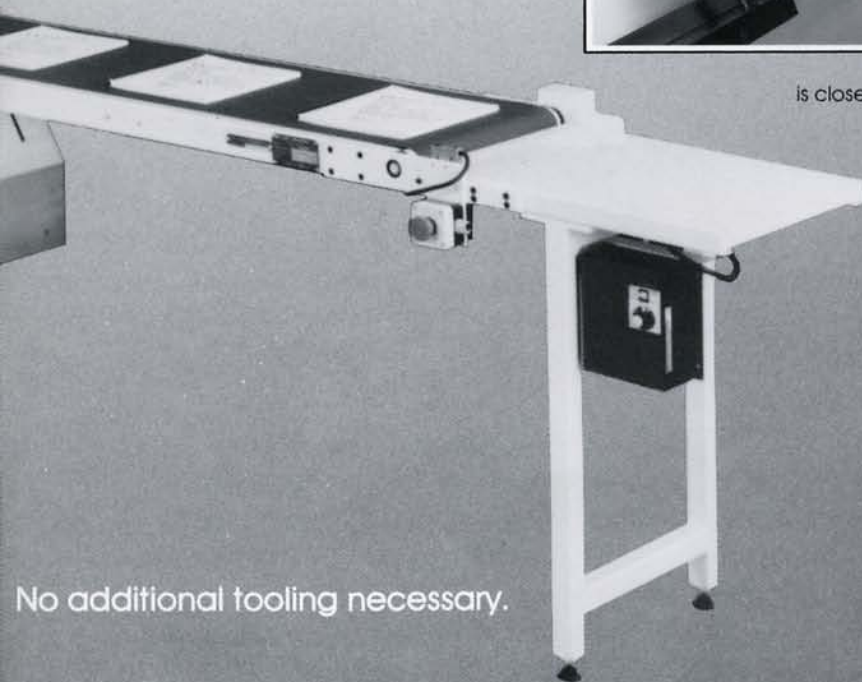
- Digital book and element counters
- Automatic wire closer
- Automatic, variable speed "take away" conveyor
- Easy pitch changeovers—3:1" and 2:1" for fast makeready



Operator places booklet on wire



Wire-O Binding is closed automatically



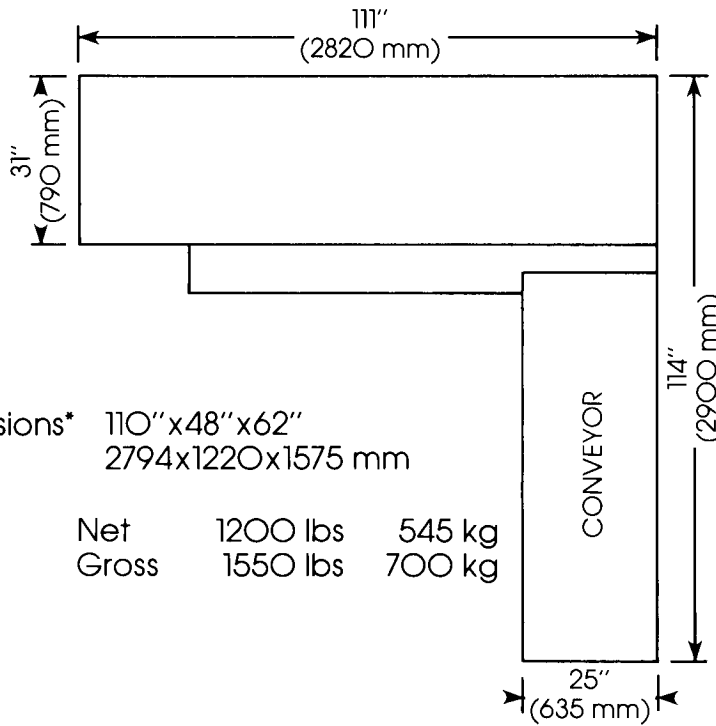
No additional tooling necessary.

Other BB38 models are available with optional features for even more efficiency such as:

- Paper shredder for waste
- Cover flipper
- Jogger
- Criss-cross jogger
- Shrink-wrap interface
- 4:1" skip binding
- Calendar hanger binding
- On-board air compressor

Wire Capacity	min. 3/16"	4.8 mm
	max. 1"	25.4 mm
Book Thickness	min. 1/8"	3.2 mm
	max. 7/8"	22.2 mm
Binding Edge	min. 3 1/2"	88.9 mm
	max. 15"	381.0 mm
Non-binding Edge	min. 3 1/2"	88.9 mm
	max. 15"	381.0 mm
Electrical Power	110V single phase 60hz 220V single phase 50hz	
Air Supply	80 PSI using 3.2 CFM maximum 5.52 bar using 88 liters/min	

Dimensions



Packed Dimensions* 110"x48"x62"
2794x1220x1575 mm

Weights*	Net	1200 lbs	545 kg
	Gross	1550 lbs	700 kg

*Approximate

205 COTTAGE STREET/P.O. BOX 430
POUGHKEEPSIE, NY 12602
(914) 454-8200 (800) 431-4610
FAX: (914) 454-8208



AMERICAN Standard company

**JAMES BURN
INTERNATIONAL**

6205 ENGLE WAY UNIT G
GILROY, CA 95020
(408) 847-1233 (800) 227-5884
FAX: (408) 847-1122

JAMES BURN INTERNATIONAL
DOUGLAS ROAD, ESHER
SURREY, KT10 8BD
ENGLAND
TELEPHONE: 011-44 (372) 466801
FAX: 011-44 (372) 460151

JAMES BURN INTERNATIONAL SA
67 RUE DU DOCTEUR BLAIZOT
B.P. 134 61304 L'ANGLE, Cx
FRANCE
TELEPHONE: 011-33 (33) 24 04 99
FAX: 011-33 (33) 24 30 99

JAMES BURN INTERNATIONAL AB
BOX 200 73
S-200 74 MALMÖ
SWEDEN
TELEFON: 011-46 (40) 733 55
FAX 011-46 (40) 91 20 40

JAMES BURN INTERNATIONAL GmbH
POSTFACH 54 07 52
D-2000 HAMBURG 54
GERMANY
TELEFON: 011-49 (40) 540 70 13
FAX: 011-49 (40) 540 70 90

JAMES BURN INTERNACIONAL SA
UNION 59-A
08912 BADALONA
BARCELONA, SPAIN
TELEFONO: 011-34 (3) 383-6256
FAX: 011-34 (3) 383-8258