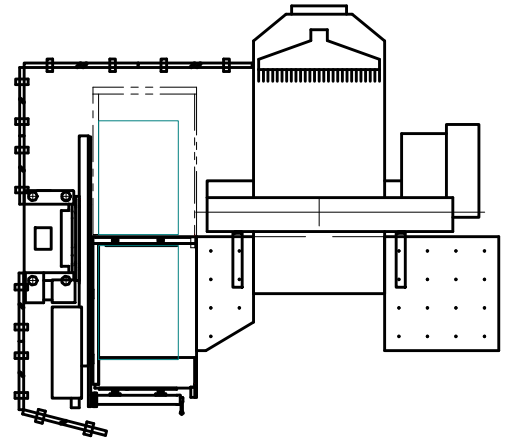


unloads the high-speed cutter efficiently and easily by automatically stacking the material with precisely aligned edges.

## Customer benefits

- Increases the efficiency of the cutting machine by up to 50%, because cutting can be continued while material is stacked
- Very short start-up times owing to size adjustment from the front by means of a scale within seconds
- Improves ergonomic conditions, because the down stacking of heavy loads is no longer necessary
- Consistent stacking quality allows direct processing in the printing / folding machines



## Description of the machine

The POLAR Transomat TRE 90-4 is predominantly used for offset class 70 × 100 | 40". The unloading Transomat makes it much easier to unload the high-speed cutter and optimizes the entire workflow. It is no longer necessary to take off the intermediate or finished products laboriously by hand, but they are simply pushed onto the transport pallet of the Transomat unit. It automatically deposits parted or complete reams on a pallet. Simultaneously, the operator can continue cutting, which improves the efficiency of the high-speed cutter substantially. With its patented movable pallet tip the POLAR Transomat can achieve perfectly aligned edges so that the material can be directly processed on the printing press or folding machine. The TRE 90-4 Transomat is very space saving, because it is often positioned on the usually unused area beside the high-speed cutter. This is possible, because the pile is formed beneath the Transomat pallet.

## Technical data

Application for size min.	100 × 400 mm   3.94 × 15.75 in
Application for size max.	800 × 1,200 mm   31.50 × 47.24 in
Label size min.	105 - 148 mm   4.13 × 5.83 in
Height of ream min.	40 mm   1.57 in
Height of ream max.	165 mm   6.50 in
Pile height max	850 mm   33.46 in
Carrying capacity max.	200 kg   441 lbs

Further technical data are available for download on our website.

unloads the high-speed cutter efficiently and easily by automatically stacking the material with precisely aligned edges.

## Customer benefits

- Increases the efficiency of the cutting machine by up to 50%, because cutting can be continued while material is stacked
- Very short start-up times owing to size adjustment from the front by means of a scale within seconds
- Improves ergonomic conditions, because the down stacking of heavy loads is no longer necessary
- Consistent stacking quality allows direct processing in the printing / folding machines



## Description of the machine

The POLAR Transomat TRE 130-4 is predominantly used for offset class 70 × 100 | 40". The unloading Transomat makes it much easier to unload the high-speed cutter and optimizes the entire workflow. It is no longer necessary to take off the intermediate or finished products laboriously by hand, but they are simply pushed onto the transport pallet of the Transomat unit. It automatically deposits parted or complete reams on a pallet. Simultaneously, the operator can continue cutting, which improves the efficiency of the high-speed cutter substantially. With its patented movable pallet tip the POLAR Transomat can achieve perfectly aligned edges so that the material can be directly processed on the printing press or folding machine.

## Technical data

Application for size min.	100 × 400 mm   3.94 × 15.75 in
Application for size max.	800 × 1,200 mm   31.50 × 47.24 in
Label size min.	105 - 148 mm   4.13 × 5.83 in
Height of ream min.	40 mm   1.57 in
Height of ream max.	165 mm   6.50 in
Pile height max	1,300 mm   51.18 in
Carrying capacity max.	200 kg   441 lbs

<sup>2</sup> Data not yet available

Further technical data are available for download on our website.

unloads the high-speed cutter efficiently and easily by automatically stacking the material with precisely aligned edges.

### Customer benefits

- Increases the efficiency of the cutting machine by up to 50%, because cutting can be continued while material is stacked
- Very short start-up times owing to size adjustment from the front by means of a scale within seconds
- Improves ergonomic conditions, because the down stacking of heavy loads is no longer necessary
- Consistent stacking quality allows direct processing in the printing / folding machines



### Description of the machine

The POLAR Transomat TRE 130-5 is predominantly used for offset class 95 × 125 | 44". The unloading Transomat makes it much easier to unload the high-speed cutter and optimizes the entire workflow. It is no longer necessary to take off the intermediate or finished products laboriously by hand, but they are simply pushed onto the transport pallet of the Transomat unit. It automatically deposits parted or complete reams on a pallet. Simultaneously, the operator can continue cutting, which improves the efficiency of the high-speed cutter substantially. With its patented movable pallet tip the POLAR Transomat can achieve perfectly aligned edges so that the material can be directly processed on the printing press or folding machine.

### Technical data

Application for size min.	100 × 400 mm   3.94 × 15.75 in
Application for size max.	950 × 1,260 mm   37.40 × 49.61 in
Label size min.	105 - 148 mm   4.13 × 5.83 in
Height of ream min.	40 mm   1.57 in
Height of ream max.	165 mm   6.50 in
Pile height max	1,300 mm   51.18 in
Carrying capacity max.	200 kg   441 lbs

Further technical data are available for download on our website.

unloads the high-speed cutter efficiently and easily by automatically stacking the material with precisely aligned edges.

## Customer benefits

- Increases the efficiency of the cutting machine by up to 50%, because cutting can be continued while material is stacked
- Very short start-up times owing to size adjustment from the front by means of a scale within seconds
- Improves ergonomic conditions, because the down stacking of heavy loads is no longer necessary
- Consistent stacking quality allows direct processing in the printing / folding machines



## Description of the machine

The POLAR Transomat TRE 160-6 is predominantly used for offset class 100 × 140 | 56". The unloading Transomat makes it much easier to unload the high-speed cutter and optimizes the entire workflow. It is no longer necessary to take off the intermediate or finished products laboriously by hand, but they are simply pushed onto the transport pallet of the Transomat unit. It automatically deposits parted or complete reams on a pallet. Simultaneously, the operator can continue cutting, which improves the efficiency of the high-speed cutter substantially. With its patented movable pallet tip the POLAR Transomat can achieve perfectly aligned edges so that the material can be directly processed on the printing press or folding machine.

## Technical data

Application for size min.	500 × 400 mm   19.69 × 15.75 in
Application for size max.	1,050 × 1,450 mm   41.34 × 57.09 in
Label size min.	105 - 148 mm   4,13 × 5.83 in
Height of ream min.	40 mm   1.57 in
Height of ream max.	165 mm   6.50 in
Pile height max	1,600 mm   62.99 in
Carrying capacity max.	300 kg   661 lbs

Further technical data are available for download on our website.

unloads the high-speed cutter efficiently and easily by automatically stacking the material with precisely aligned edges.

## Customer benefits

- Increases the efficiency of the cutting machine by up to 50%, because cutting can be continued while material is stacked
- Very short start-up times owing to size adjustment from the front by means of a scale within seconds
- Improves ergonomic conditions, because the down stacking of heavy loads is no longer necessary
- Consistent stacking quality allows direct processing in the printing / folding machines



## Description of the machine

The POLAR Transomat TRE 160-7S is predominantly used for offset class 120 × 160 | 64". The unloading Transomat makes it much easier to unload the high-speed cutter and optimizes the entire workflow. It is no longer necessary to take off the intermediate or finished products laboriously by hand, but they are simply pushed onto the transport pallet of the Transomat unit. It automatically deposits parted or complete reams on a pallet. Simultaneously, the operator can continue cutting, which improves the efficiency of the high-speed cutter substantially. With its patented movable pallet tip the POLAR Transomat can achieve perfectly aligned edges so that the material can be directly processed on the printing press or folding machine.

## Technical data

Application for size min.	650 × 450 mm   25.59 × 17.72 in
Application for size max.	1,220 × 1,640 mm   48.03 × 64.57 in
Label size min.	105 - 148 mm   4.13 × 5.83 in
Height of ream min.	40 mm   1.57 in
Height of ream max.	165 mm   6.50 in
Pile height max	1,600 mm   62.99 in
Carrying capacity max.	300 kg   661 lbs

Further technical data are available for download on our website.