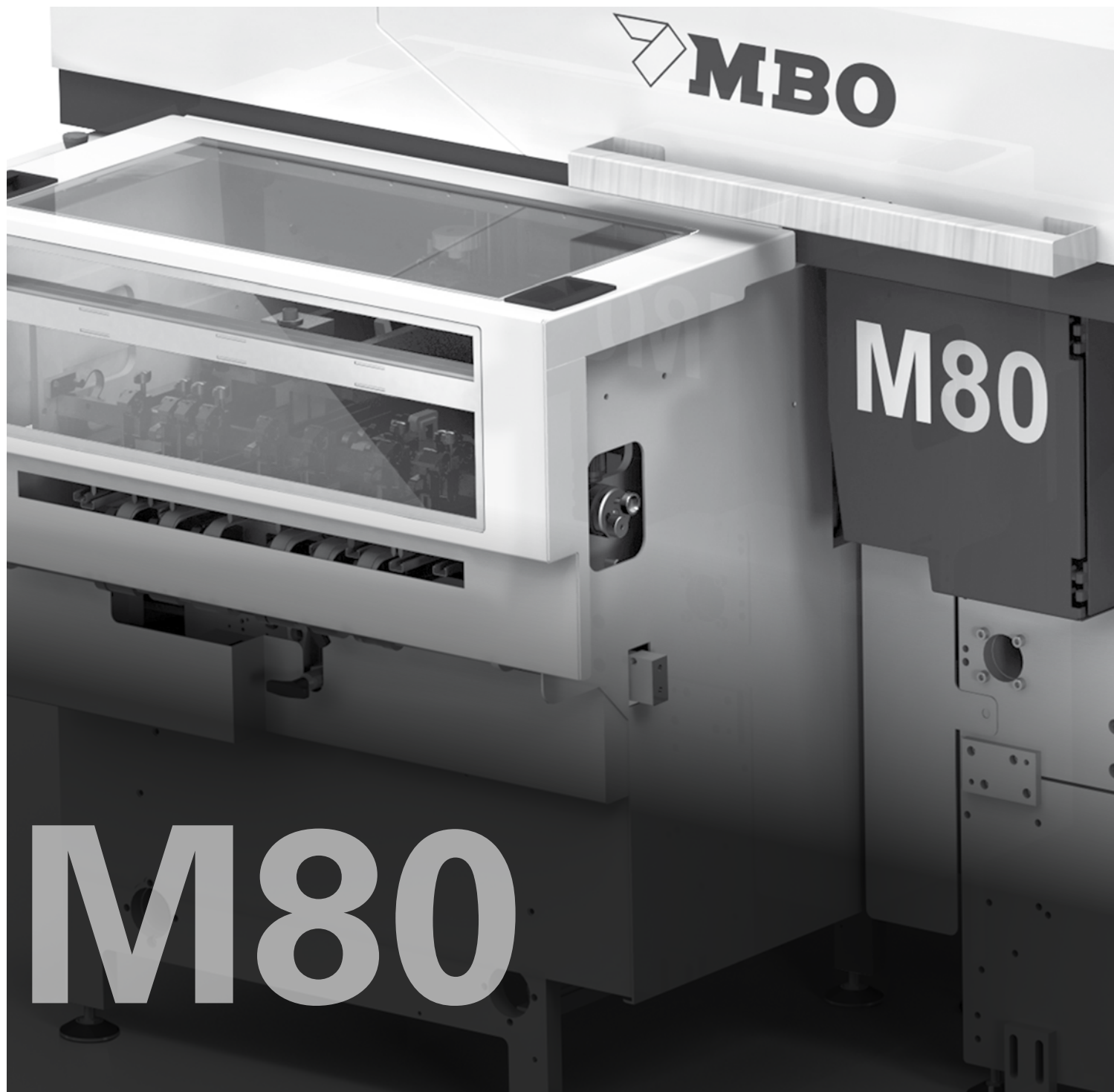




M80

efficient | flexible | perfect



M80

M80 – Always The Right Decision

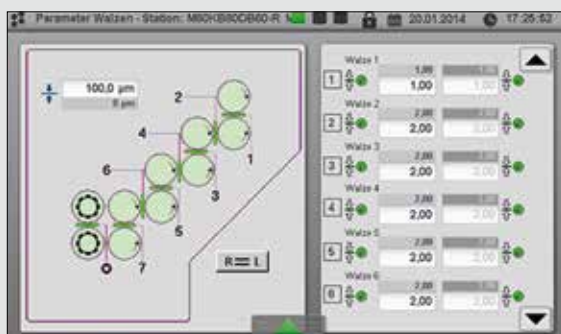


The M80 from MBO is the folding machine of the future. It adapts perfectly to the changing environment of today's market. The M80 is the world's only fully adaptable folder. This machine gives you the flexibility to install "add-on"

components after your initial purchase in order to meet new job requirements. If a new job structure comes along that demands more out of your machine the M80 can be expanded accordingly with multiple options.

Highlighted Add-On Components

The M80 base module is supported by an array of add-on components. Retrofitting components after initial purchase gives you the ability to adapt as you grow your business.



Automation

Upgrade to automation for faster make-ready times



Pre-slitter shaft

Retrofit a pre-slitter to expand your application capabilities



M80 buckle folding version (with noise protection hoods):
continuous feeder R80, base module M80,
folding unit II FW80-2, folding unit III FW60-3



■ **Amount of fold plates**
Expand from 4 to 6 plates and increase your
job capabilities



■ **Reading unit to detect incorrect sheets**
Verification of images, codes and blank sheets

MBO-Features



Slitter Shaft Cassette MWK (optional)

The extractable slitter shaft cassette reduces changeover times dramatically. This ergonomic feature slides out once the locking pin is released, thus allowing for easy access on the operator side. The integrated scale on the cassette allows the precise adjustment and positioning of the knives.



HIGH-SPEED-GUIDE (optional)

The HIGH-SPEED-GUIDE for all mobile buckle folding units ensures the absolute control of sheets even at high speeds thanks to their driven cone-shaped rollers. By synchronizing the speeds of the cone-shaped rollers with the transport rollers, friction and the risk of any unwanted markings are reduced.



Belt Drive

The proven MBO belt drive for combination and buckle folding machines guarantees extremely quiet operation as well as long maintenance free periods. The auto belt tensioning element nearly eliminates the need for manual control or readjustment of the belt. Low follow-up and operational costs make the MBO belt drive an especially efficient long-term solution.



M1 – The Next Generation of Machine Control Systems

With its graphic user interface and intuitive menus, the M1 Control is very user friendly. Its touchscreen display allows operators to control multiple machine functions from the same interface by simply navigating through the M1 menu options.

Example Configurations

The M80 base module can be configured as a buckle folding machine or as a combi-folding machine, each with a variety of different feeder options available in order to meet the needs of any job structure.



M80 buckle folding version (with noise protection hoods):
continuous feeder R80, base module M80,
folding unit II FW80-2, folding unit III FW60-3



M80 buckle folding version (without noise protection hoods):
continuous feeder R80, base module M80,
folding unit II FW80-2, folding unit III FW60-3



M80 combi folding machine (always with safety and noise protection hoods): palletized feeder FP80, base module M80, crossfold unit KB80 and threefold unit DB60

Technical Specifications

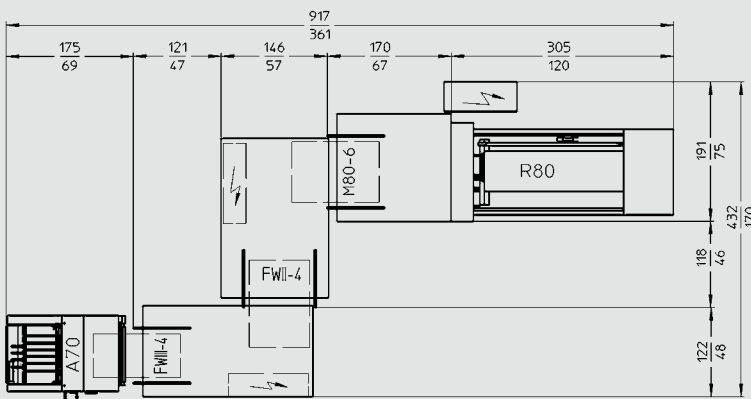
Machine / Module	M80		FW80-2		FW60-3		KB80/KBT80		DB60		
	cm	inch	cm	inch	cm	inch	cm	inch	cm	inch	
Infeed width	min	15,00	5 7/8	8,00	3 1/8	8,00	3 1/8	15,00	5 7/8	15,00	5 7/8
	max	83,00	32 5/8	80,00	31 1/2	58,00	22 7/8	83,00	32 5/8	62,00	24 3/8
Infeed length	min	20,00	7 7/8	10,00	3 7/8	10,00	3 7/8	15,00	5 7/8	15,00	5 7/8
	max	124,00	48 3/4	43,00	16 7/8	43,00	16 7/8	62,00	24 3/8	43,00	16 7/8
Folding length buckle plate	min	6,00	2 3/8	6,00	2 3/8	6,00	2 3/8	6,00*	2 3/8*	-	-
Speed	min	30 m/min	1181 inch/min	30 m/min	1181 inch/min	30 m/min	1181 inch/min	30 m/min	1181 inch/min	30 m/min	1181 inch/min
	max	230 m/min	9055 inch/min	230 m/min	9055 inch/min	230 m/min	9055 inch/min	230 m/min	9055 inch/min	230 m/min	9055 inch/min

*Only for KBT80

01/2018_v6

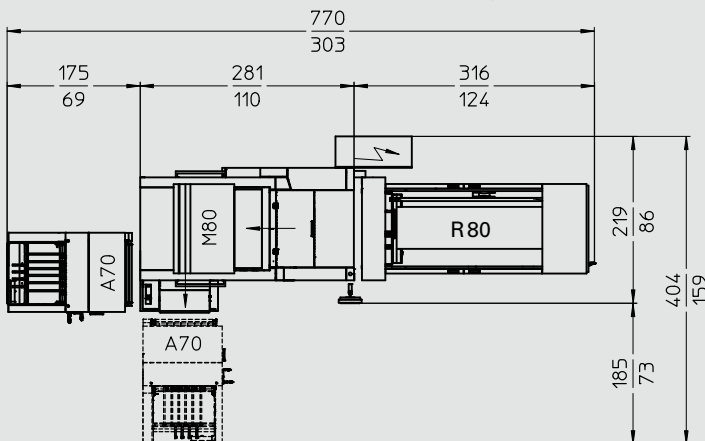
Example Layout:

M80 buckle folding version with continuous feeder R80, base module M80, folding unit II FW80-2, folding unit III FW60-3 and A70 delivery



Example Layout:

M80 combi folding machine with continuous feeder R80, base module M80, cross fold KB80, three fold DB60 and A70 delivery



**MBO Maschinenbau Oppenweiler
Binder GmbH & Co. KG**
Grabenstraße 4-6
71570 Oppenweiler ■ Germany
Phone +49 (0) 7191/46-0
info@mbo-folder.com
www.mbo-folder.com

