

Super Smasher™



www.ODMachinery.com



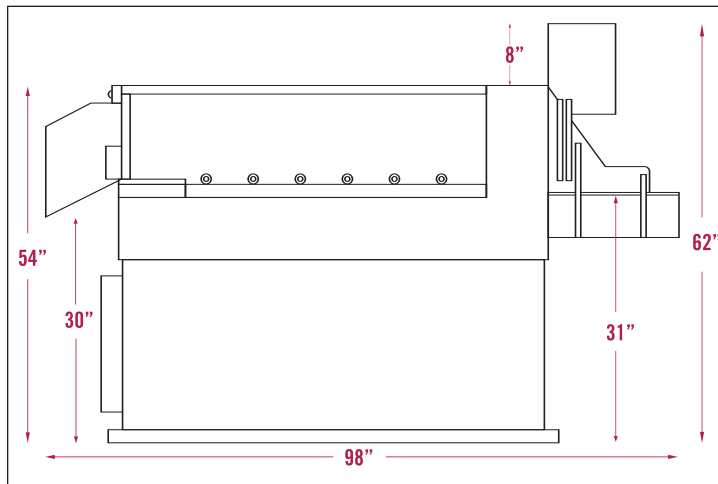
BUILDING-IN MADE FASTER, SIMPLER!

ODM BUILDING-IN MACHINE

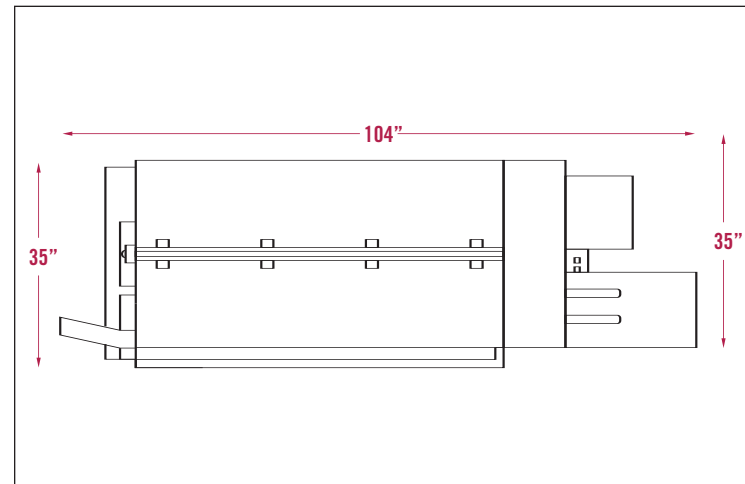
Super Smasher™ Building-in Machine Offers Outstanding Value, Quality, and Performance!

SPECIFICATIONS & TECHNICAL DATA:	SUPER SMASHER™ MODEL	STANDARD EQUIPMENT for the SUPER SMASHER™ BUILDING-IN MACHINE INCLUDES:
Maximum Book Size:	11" x 14" x 3"	• Automatic feed, hydraulic building-in machine
Minimum Book Size:	4" x 4" x 1/8"	• Completely self-adjusting
Output (per hour):	1080 books	• Easy-to-operate touch screen control panel
Floor Space:	104" x 35"	• One smashing station houses three nipping stations
Net Weight:	2500 lbs.	• Nipping station up to 1500 lbs. of hydraulic pressure
Power Required:	(2) 220 Volt, 3 Phase 20 Amp lines Air 70 PSI	• Standard input unit: One station feed pocket
		• Standard output unit: Rear In-line chute delivery

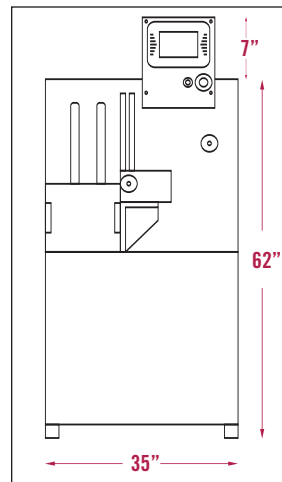
DIMENSIONS: FRONT VIEW



OVERHEAD VIEW



SIDE VIEW



ODM FREE TECH SUPPORT: 908-351-6906



150 Broadway, Elizabeth, NJ 07206 • Tel: 908-351-6906 • Fax: 908-351-7156 • www.ODMachinery.com

ODM SUPER SMASHER™

BUILDING-IN MADE FASTER & SIMPLER WITH THE ODM SUPER SMASHER™

The Super Smasher™ is a self-adjusting; automatic feed, hydraulic building-in machine. It's the first machine of its type to be manufactured. The operator places cased-in books into one Smashing Station that houses three nipping stations, maximizing production. It's easy to operate with a touch screen LCD control panel.

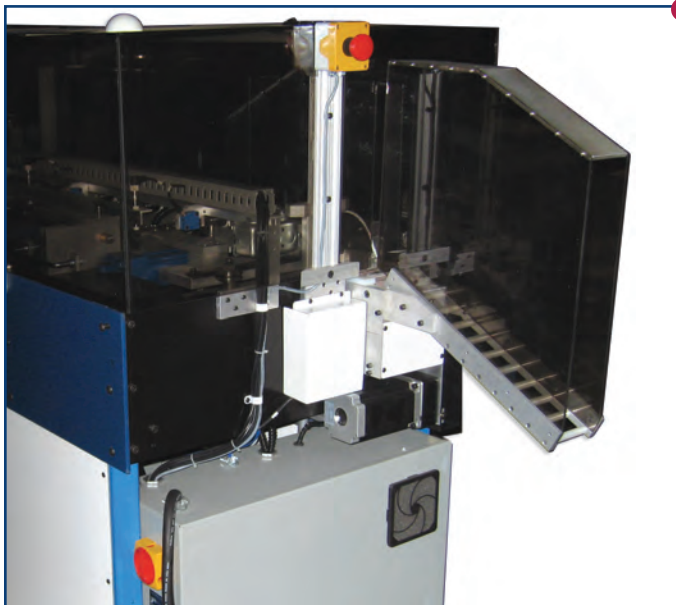
The Super Smasher™ is completely automatic and has an in-line feeder station and in-line chute delivery. The rear in-line chute delivery can conveniently tie into most conveyors for increased work flow. The Super Smasher™ can produce up to 18 books per minute; **that's over 1000 books per hour.**

Three Nipping Stations House Heated Joint Irons



Three nipping stations can produce 18 books per minute; that's over 1000 books per hour!

After the books are pressed in the smashing station, the books travel through three nipping stations (a safety guard box lifts open for easy access to joint irons located in the rear of the machine) that apply up to 1,500 pounds of hydraulic pressure to the joint area of each book. The three nippers provide dwell time in the joint area enabling the machine to run at speeds up to 18 books per minute.



Standard In-Line Rear Chute Delivery

The standard in-line rear chute delivery of finished books can be tied into most conveyor systems for continuous work flow.



Touch Screen LCD Control Panel

The touch screen control panel permits operators to easily access machine features such as dwell time, servo homing, manually indexing, or troubleshooting a machine fault. The control panel includes a counter as well.

One Station Feed Pocket



The operator feeds the books into the machine at the in-line feeder station. The station has an electric eye that senses books and automatically cycles the machine. The general bulk feature allows the operator to adjust a set bulk range enabling faster machine speeds.

