

DELTA 52

THERMAL LAMINATOR

KOMFI®



DESIGNED FOR INDUSTRIAL LAMINATION OF BOTH OFFSET AND DIGITAL OUTPUT

- More than 20 years on the market, 5th generation
- Symbol of effective industrial thermal lamination
- Close to 1000 units installed worldwide
- Unique software features to optimise production and minimise waste sheets
- Designed for unattended operation
- Built-in help and self-diagnostics

- Heavy-duty design; extensively used in 24/7 environments
- Processor controlled feeding head for accurate sheet feeding
- Electronically controlled gate for precise and stable sheet overlap at any production speed
- Easy and fast setting of job and machine parameters through a large graphical touch screen
- Ability to process any digital and standard laminating film available on the market
- Outstanding temperature stability thanks to original heating system being continuously improved since 1996
- Continuous automatic checking of the whole lamination process (feeding, temperature, air pressure, sheet separation, etc.) to ensure 100% quality result

DESIGNED AND MANUFACTURED IN THE CZECH REPUBLIC



54x76 cm



35 m/min



HEAD



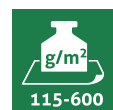
3 ZONE
ELECTRICAL



TOUCH



DIGITAL
& OFFSET



1.15-600



3x 400V

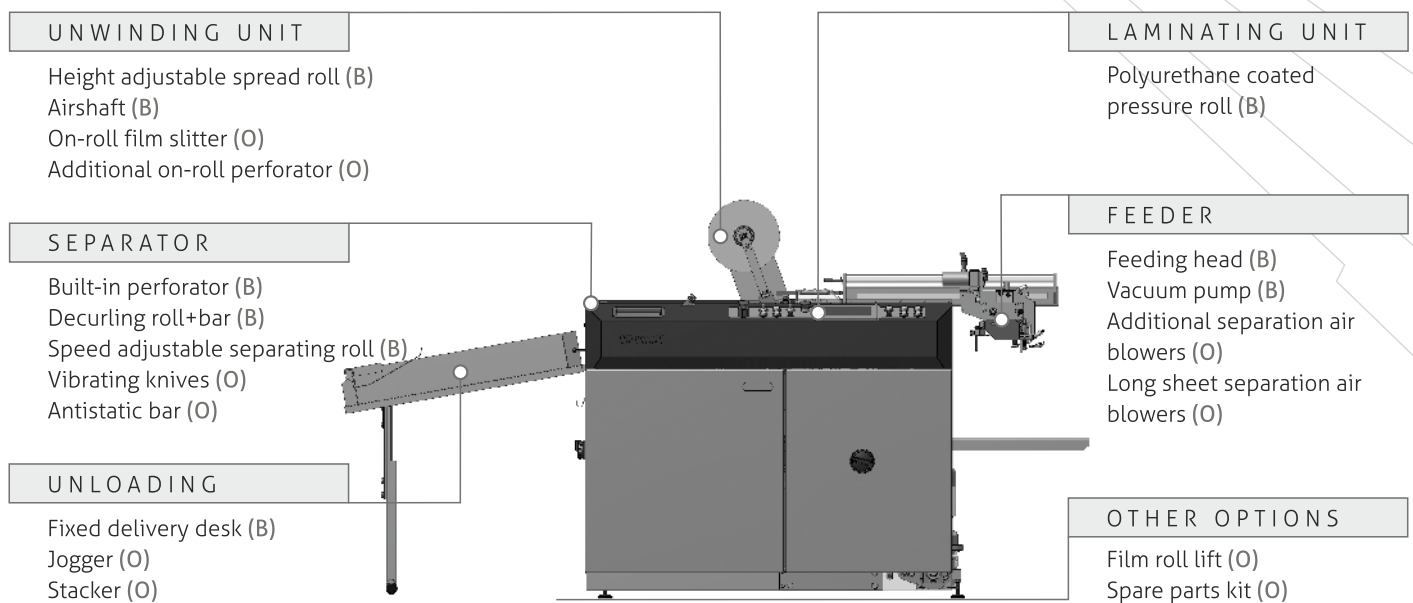


6 bar
60 l/min

DELTA - MAKES THE DIFFERENCE

MACHINE CONFIGURATION SCHEME

B = basic O = option



BASIC CONFIGURATION

- Automatic feeder with fixed lifting table
- Single action Komfi feeding head
- Vacuum pump
- Automatic sheet overlap control
- Mis-feeding detection
- Laminating cylinder heated by 3-zone electro-resistance heater
- Temperature drop detection
- Polyurethane pressure roller
- Air pressure decrease detector
- Airshaft for film unwinding
- Combined de-curling unit (bar and roller)
- Automatic sheet separation using built-in perforator
- Pneumatic snapping unit is electronically controlled
- Speed adjustable separating roller
- Sheet separation detector
- Fixed delivery desk

OPTIONS

- Machine options in details on www.komfilaminators.com

CUSTOM-BUILT SOLUTIONS

- Possibility of individual machine modification based on specific requirements
- US version available

TECHNICAL PARAMETERS

Maximum speed of lamination:	35 m/min
Maximum sheet dimensions:	54 × 76 cm (21 × 29.5")
Minimum sheet dimensions:	20 × 20 cm
Paper weight:	115-600 g/m ²
Thickness of laminating film:	24-50 μm
Kind of laminating film:	OPP, PET, Nylon
Time of laminating roll warm up (25±100 °C):	3 min
Sheet overlap accuracy (at constant laminating speed):	±1 mm
Machine dimensions including delivery desk (L × W × H):	268 × 123 × 144 cm
Air supply:	6 bar
Air consumption at stable run:	60 l/min

The technical parameters may change without prior notice. Find more details about the product and its technical parameters on www.komfilaminators.com.



WEB PAGE



VIDEO